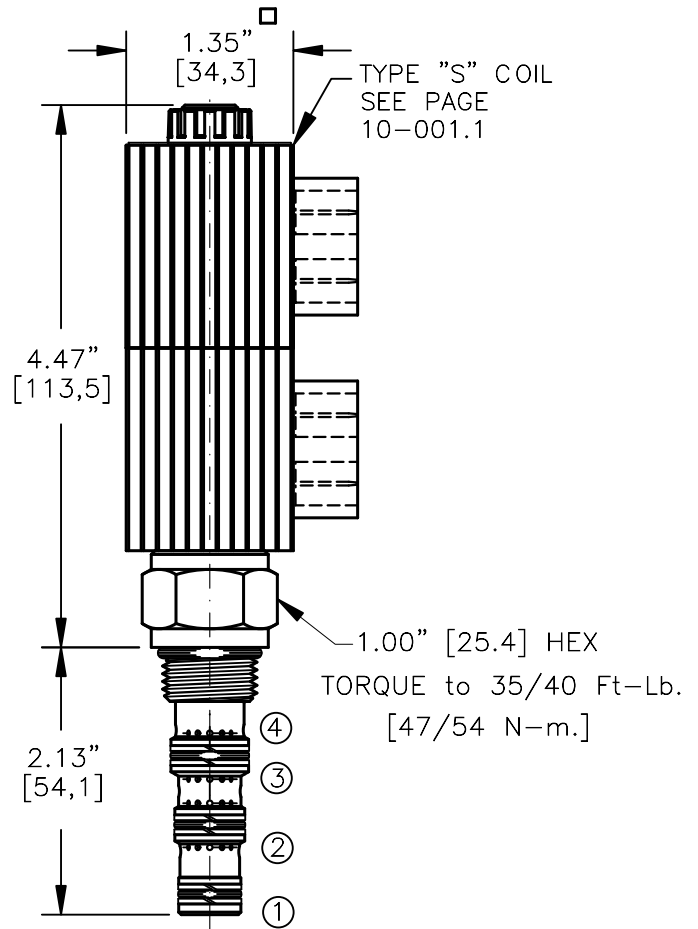
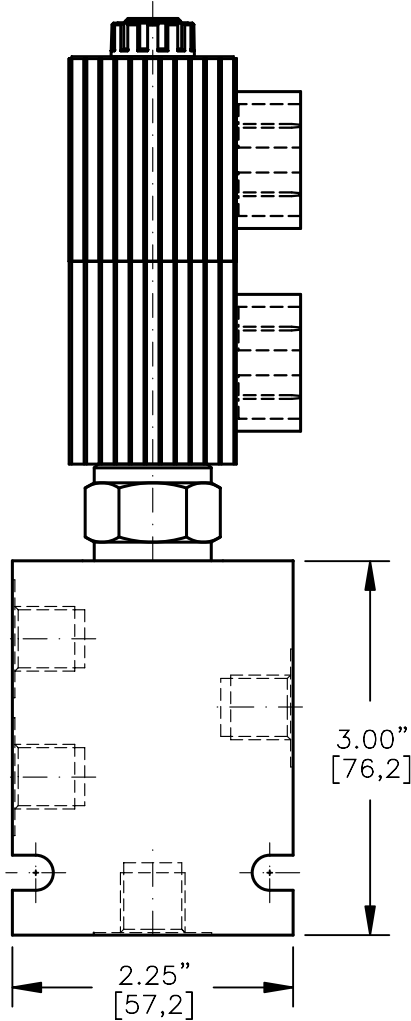
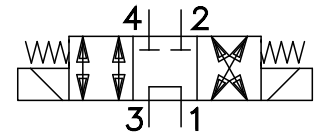


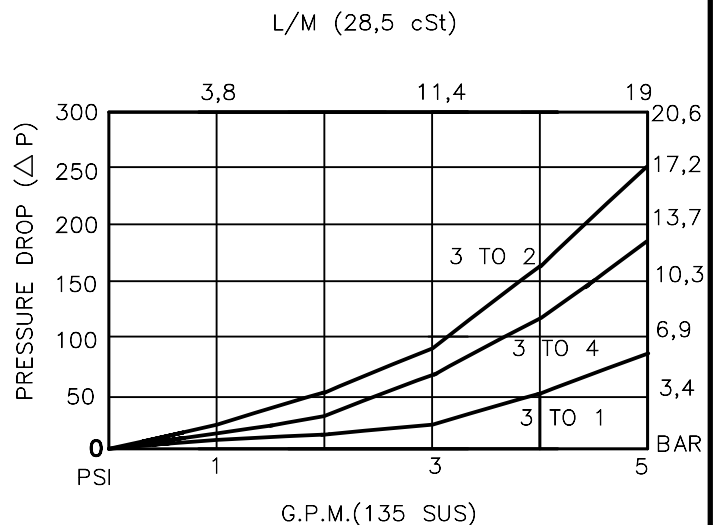
SOLENOID VALVE, 4-WAY, 3-POSITION.  
DIRECT ACTING SPOOL



TORQUE:  
Steel = 35/40 Ft-Lb. [47/54 Nm]  
Aluminum = 25/30 Ft-Lb. [34/41 Nm]

EMBV-08-X-4J-X-XXX X

- BASIC
- SIZE  
08 = 3/4"-16UNF
- SEALS  
N = BUNA "N"  
V = VITON
- TYPE  
4J = "J" SPOOL  
4-WAY, 3-POSITION
- PORTS  
0 = CARTRIDGE ONLY  
02BX = G 1/4" BSSP  
06TX = SAE - #6  
"A" = ALUM. HOUSING  
"S" = STEEL HOUSING
- TERMINALS  
L = 18GA. 24" LEADS  
T = SPADE TERM.  
B = BOLT TERM.  
G = DIN 43650  
W = WEATHER-PACK  
D = DEUTSCH-DT04-2P  
M = METRI-PACK CONN.
- VOLTAGE AMPS  
12D = 12 VDC 1.7  
24D = 24 VDC .9  
36D = 36 VDC .6  
48D = 48 VDC .5  
115D = 115 VDC .2



## SOLENOID VALVE 4-WAY, 3-POSITION, SPOOL TYPE

### DESCRIPTION

This unit is a FOUR-WAY, THREE POSITION, cartridge type, spool type, direct acting, screw in type, solenoid operated, double coil, bidirectional tandem center selector valve.

### OPERATIONS

At the initial position, this valve allows flow between ports 3 & 1 and blocks ports 2 & 4.

When the upper solenoid coil is energized, the spool in this valve is shifted and allows flow between ports 2 and 3 and ports 1 and 4.

When the lower solenoid coil is energized, the spool in this valve is shifted and allows flow between ports 3 and 4 and ports 2 and 1.

### FEATURES AND BENEFITS

Continuous-duty, very low heat rise & waterproof solenoid coil.

Interchangeable solenoid coils & terminations options available.

Hardened precision fitted spool & sleeve provides reliable, long life.

Very efficient, wet-armature solenoid core tube construction.

All external carbon steel parts are plated for longer life against the elements.

All cartridge valves are 100% functionally tested.

Industry common cavity.

**SOLENOID VALVE 4-WAY, 3-POSITION, SPOOL TYPE****SPECIFICATIONS**

OPERATING PRESSURE: 5,000 PSI [350 Bar]

PROOF PRESSURE: 10,000 PSI [700 Bar]

FLOW: 4.0 GPM [15 l/m] max. See performance chart.

INTERNAL LEAKAGE: 20cu.in/min [328 cc/m] @ 5,000 PSI [350 Bar]

VALVE HOUSINGS: 2500 PSI [175 Bar] = Aluminum - Anodized.

5000 PSI [350 Bar] = Steel - Unplated.

OIL TEMPERATURE: -40° to +175° F. [-40° to +80° C.]

AMBIENT TEMPERATURE: -40° to +122° F. [-40° to +50° C.]

Please consult factory for continuously energized or high ambient temperature application (>122° F [50°C])

OPERATING MEDIA: All general purpose hydraulic fluids such as MIL-H-5606, SAE-#10, SAE-#20, etc.

RESPONSE TIME: First indication of change in pressure with 100% voltage supplied @ 80% of nominal flow rating.

\* Pull-in: 50 ms

\* Drop-Out: 50 ms

SEAL KIT: SKN-0842 Buna "N"

SKV-0842 Viton

WEIGHT: 1.52 lb [.69 kg] cartridge with coil only.

VALVE CAVITY: #C0840, See Page 0-041.0.