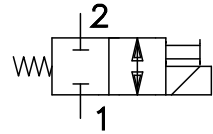
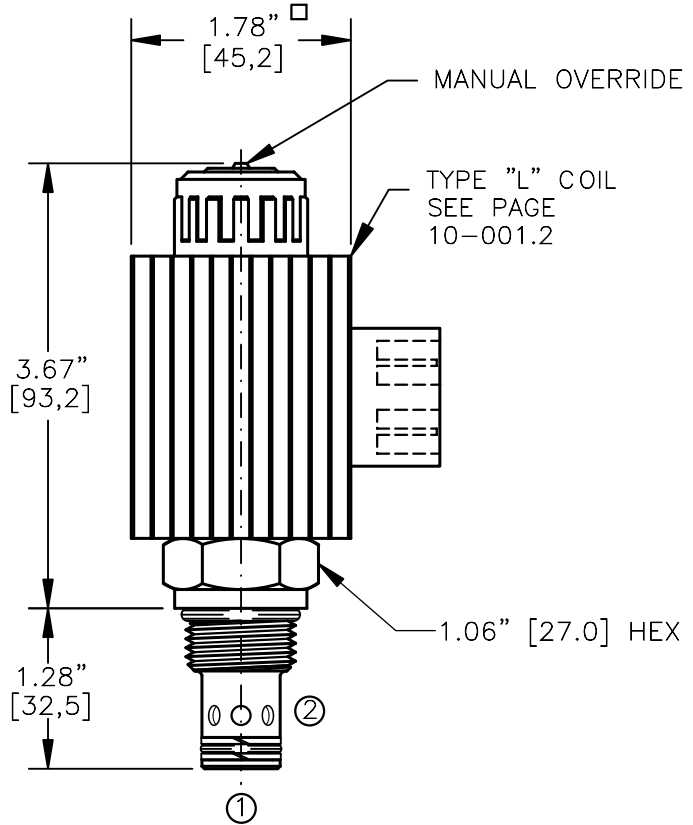
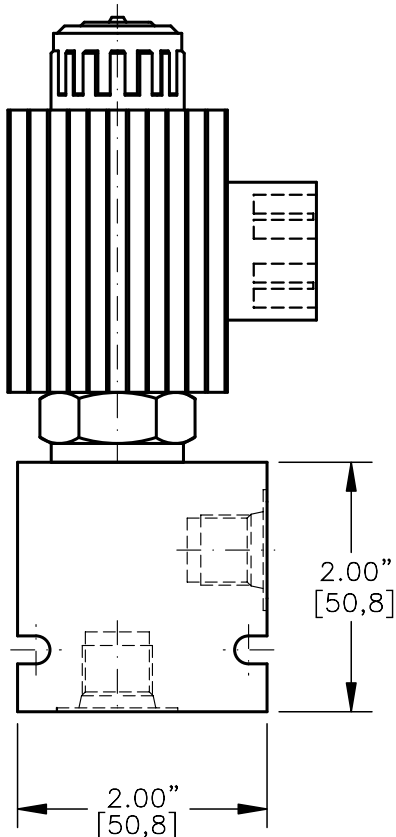


SOLENOID VALVE, NORMALLY CLOSED.
DIRECT ACTING, SPOOL TYPE (2/2)



TORQUE:

Steel = 55/60 Ft-Lb. [74/81 Nm]
Aluminum = 35/40 Ft-Lb. [47/54 Nm]



NOTES:

1. FOR ALUMINUM OR STEEL VALVE HOUSING CONFIGURATIONS SEE PAGE 0-012.1
2. SOLENOIDS AVAILABLE WITH DIODES - CONSULT FACTORY.
3. ALL A.C. COILS ARE INTERNALLY A.C. TO D.C. RECTIFIED.
4. FOR SOFT SHIFT SOLENOID VALVE SEE PAGE 10-002.0

EMDV-10-X-C1-X-XXX X

BASIC

SIZE
10 = 7/8"-14UNF

SEALS
N = BUNA "N"
V = VITON

TYPE
C1=NORMALLY CLOSED SPOOL
2-WAY, 2-POSITION

PORTS
0 = CARTRIDGE ONLY
02BX = G 1/4" BSPP
03BX = G 3/8" BSPP
06TX = SAE - #6
08TX = SAE - #8

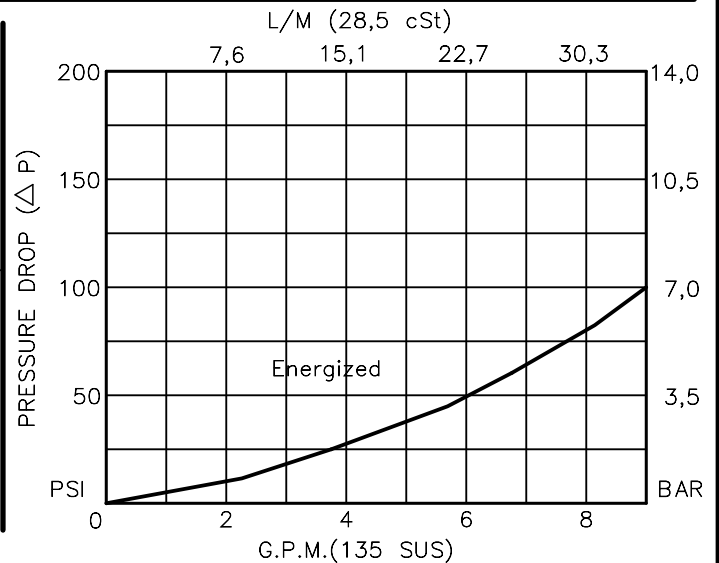
"A" = ALUM. HOUSING
"S" = STEEL HOUSING

TERMINALS

L = 18GA. 24" LEADS
T = SPADE TERM.
B = BOLT TERM.
G = DIN43650
W = WEATHER-PACK
D = DEUTSCH-DT04-2P
M = M ETRI-PACK CONN

VOLTAGE AMPS

12D = 12 VDC 3.00
24D = 24 VDC 1.50
36D = 36 VDC 1.00
48D = 48 VDC 0.75
110D = 110 VDC 0.33
115A = 115 VAC 0.32
230A = 230 VAC 0.16



**SOLENOID VALVE, NORMALLY CLOSED,
DIRECT ACTING, SPOOL TYPE (2/2)****DESCRIPTION**

This unit is a NORMALLY CLOSED, TWO POSITION, cartridge type, spool type, direct acting, screw in type, solenoid operated, directional control valve.

OPERATIONS

When solenoid coil is de-energized, this valve allows no flow from ports 1 to 2 or 2 to 1.

When solenoid coil is energized, the spool in this valve is shifted and allows flow between ports 1 to 2 and 2 to 1.

Manual Operator Standard: Push in and hold a small plunger on top of the valve with a screw driver or a similar plunger smaller than .188" dia.

FEATURES AND BENEFITS

Continuous-duty, very low heat rise & waterproof solenoid coil.

Interchangeable solenoid coils & terminations options available.

Hardened precision fitted spool & sleeve provides reliable, long life.

Very efficient, wet-armature solenoid core tube construction.

All external carbon steel parts are plated for longer life against the elements.

All cartridge valves are 100% functionally tested.

Industry common cavity.

**SOLENOID VALVE, NORMALLY CLOSED,
DIRECT ACTING, SPOOL TYPE (2/2)****SPECIFICATIONS**

OPERATING PRESSURE: 5,000 PSI [350 Bar]

PROOF PRESSURE: 10,000 PSI [700 Bar]

FLOW: 8.0 GPM [30 l/m] See performance chart.

INTERNAL LEAKAGE: 5 cu.in/min [82 cc/m] @ 5,000 PSI [350 Bar]

VALVE HOUSING: 2500 PSI [175 Bar] = Aluminum – Anodized.

5000 PSI [350 Bar] = Steel – Unplated.

OPERATING TEMPERATURE: -40° to +250° F. [-40° to +120° C.]

OIL TEMPERATURE: -40° to +175° F. [-40° to +80° C.]

AMBIENT TEMPERATURE: -40° to +122° F. [-40° to +50° C.]

Please consult factory for continuously energized or
high ambient temperature application (>122° F [50°C])

OPERATING MEDIA: All general purpose hydraulic fluids such as

MIL-H-5606, SAE-#10, SAE-#20, etc.

RESPONSE TIME: First indication of change in pressure with 100%
voltage supplied @ 80% of nominal flow rating.

* Pull-in: 50 ms. * Drop-Out: 50 ms.

SEAL KIT: SKN-1022 Buna "N"

SKV-1022 Viton

INSTALLATION: No restrictions.

WEIGHT: 1.91 lb [0,86 kg] cartridge with coil only.

VALVE CAVITY: #C1020, See Page 0-012.0.