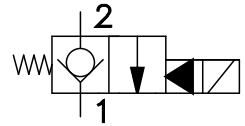
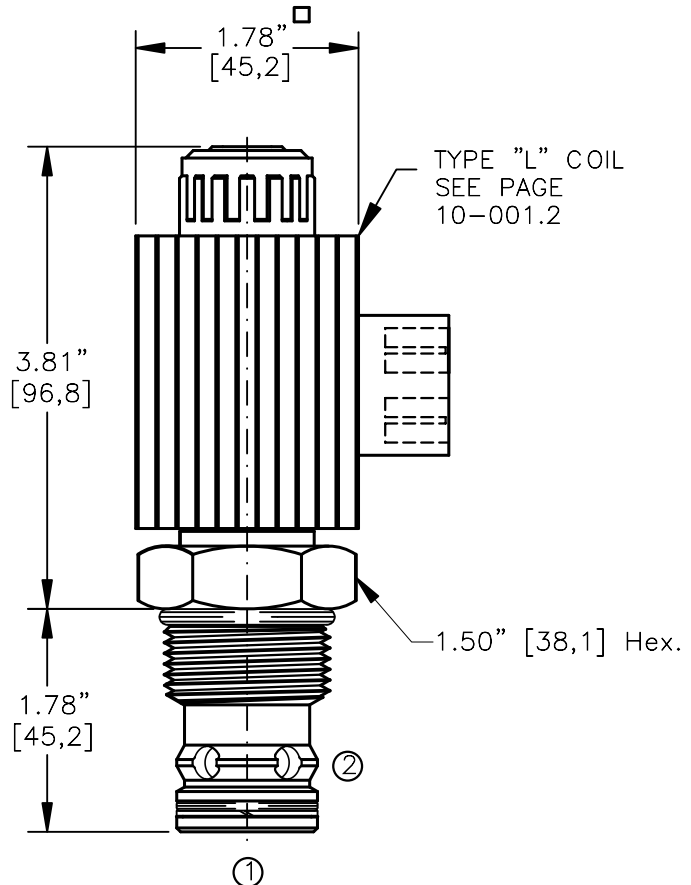
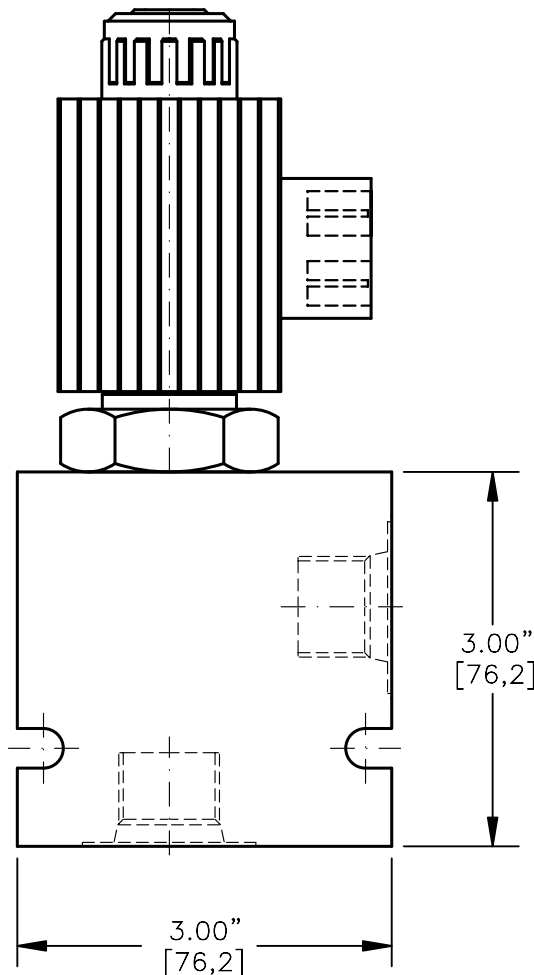


SOLENOID VALVE, NORMALLY CLOSED.  
PILOT OPERATED, POPPET TYPE (2/2)



TORQUE:

Steel = 95/100 Ft-Lb. [129/136 Nm]  
Aluminum = 70/75 Ft-Lb. [95/102 Nm]



NOTES:

1. FOR ALUMINUM OR STEEL VALVE HOUSING CONFIGURATIONS SEE PAGE 0-014.1
2. SOLENOIDS AVAILABLE WITH DIODES - CONSULT FACTORY.
3. ALL A.C. COILS ARE INTERNALLY A.C. TO D.C. RECTIFIED.

**EMDV-16-X-C2-X-XXX X**

BASIC

SIZE  
16 = 1.312"-12UNF

SEALS

N = BUNA "N"  
V = VITON

TYPE

C2=NORMALLY CLOSED POPPET  
2-WAY, 2-POSITION

PORTS

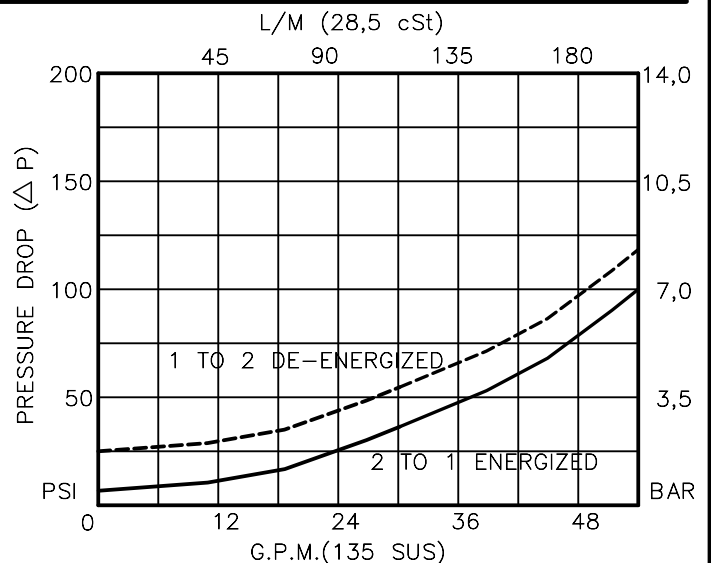
0 = CARTRIDGE ONLY  
06BX = G 3/4" BSPP  
08BX = G 1" BSPP  
12TX = SAE - #12  
16TX = SAE - #16  
"A" = ALUM. HOUSING  
"S" = STEEL HOUSING

TERMINALS

L = 18GA. 24" LEADS  
T = SPADE TERM.  
B = BOLT TERM.  
G = DIN43650  
W = WEATHER-PACK  
D = DEUTSCH-DT04-2P  
M = METRI-PACK CONN.

VOLTAGE AMPS

12D = 12 VDC	3.00
24D = 24 VDC	1.50
36D = 36 VDC	1.00
48D = 48 VDC	0.75
110D = 110 VDC	0.33
115A = 115 VAC	0.32
230A = 230 VAC	0.16



**SOLENOID VALVE, NORMALLY CLOSED,  
PILOT OPERATED, POPPET TYPE (2/2)****DESCRIPTION**

This unit is a NORMALLY CLOSED, TWO POSITION, cartridge type, poppet type, pilot operated, screw in type, solenoid operated, directional control valve.

**OPERATIONS**

When solenoid coil is de-energized, this valve allows no flow from ports 2 to 1 and free flow from ports 1 to 2. When solenoid coil is energized, the poppet in this valve is shifted and allows flow from ports 2 to 1 and restricted flow from ports 1 to 2.

**FEATURES AND BENEFITS**

Continuous-duty, very low heat rise & waterproof solenoid coil.  
Interchangeable solenoid coils & terminations options available.  
Hardened precision fitted poppet & sleeve provides reliable, long life.  
Very efficient, wet-armature solenoid core tube construction.  
All external carbon steel parts are plated for longer life against the elements.  
All cartridge valves are 100% functionally tested.  
Industry common cavity.

**SOLENOID VALVE, NORMALLY CLOSED,  
PILOT OPERATED, POPPET TYPE (2/2)****SPECIFICATIONS**

OPERATING PRESSURE: 5,000 PSI [350 Bar]

PROOF PRESSURE: 10,000 PSI [700 Bar]

FLOW: 50.0 GPM [190 l/m] See performance chart.

INTERNAL LEAKAGE: 5 drops/min [0.25 cc/m] @ 5,000 PSI (350 Bar)

VALVE HOUSINGS: 2500 PSI [175 Bar] = Aluminum – Anodized.

5000 PSI [350 Bar] = Steel – Unplated.

OIL TEMPERATURE: -40° to +175° F. [-40° to +80° C.]

AMBIENT TEMPERATURE: -40° to +122° F. [-40° to +50° C.]

Please consult factory for continuously energized or high ambient temperature application (>122° F [50°C])

OPERATING MEDIA: All general purpose hydraulic fluids such as MIL-H-5606, SAE-#10, SAE-#20, etc.

RESPONSE TIME: First indication of change in pressure with 100% voltage supplied @ 80% of nominal flow rating.

\* Pull-in: 50 ms

\* Drop-Out: 50 ms

SEAL KIT: SKN-1621 Buna "N"

SKV-1621 Viton

INSTALLATION: No restrictions.

WEIGHT: 2.25 lb [1,20 kg] cartridge with coil only.

VALVE CAVITY: #C1620, See Page 0-014.0.