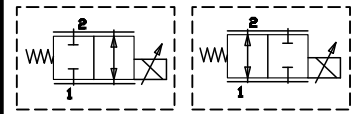
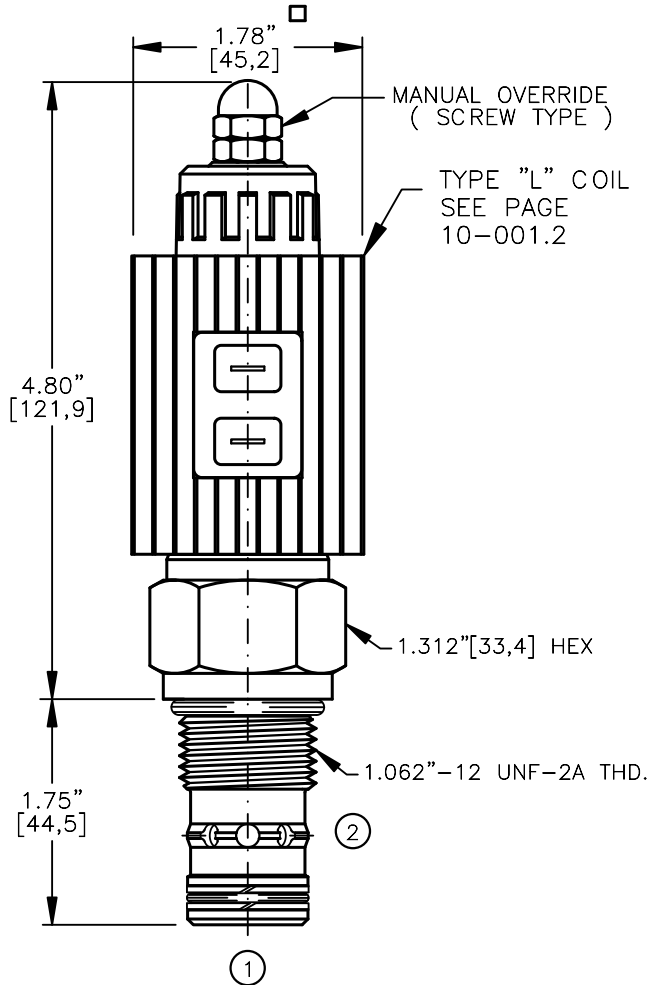
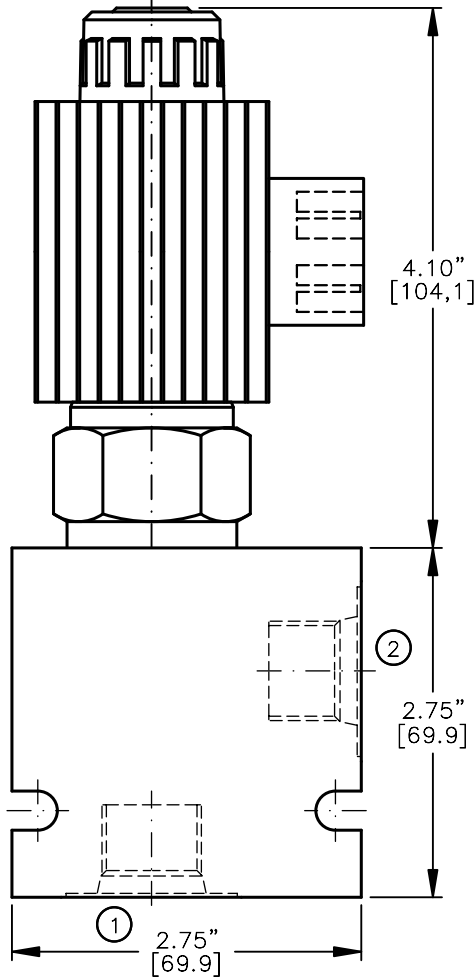


PROPORTIONAL, NORMALLY CLOSED OR NORMALLY OPEN,
IN-LINE, NON-COMPENSATED FLOW CONTROL VALVE.



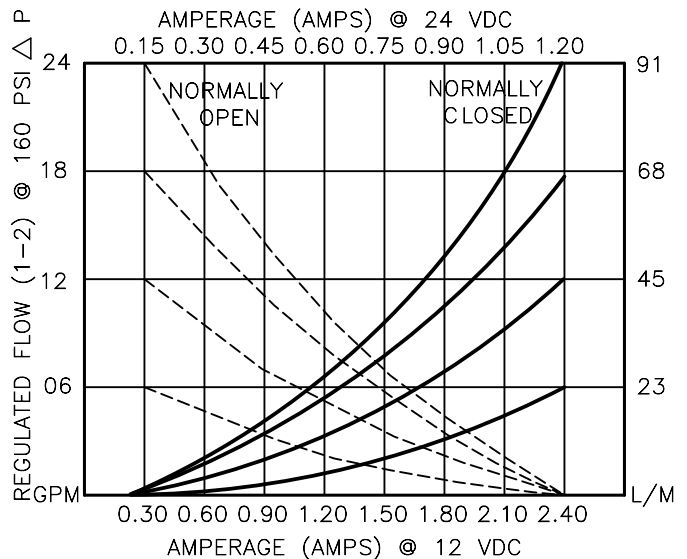
UL approved coil, IP68 and IP69K rated when used with waterproof connector.



TORQUE:
Steel = 70/75 Ft-Lb. [95/102 Nm]
Aluminum = 55/60 Ft-Lb. [74/81 Nm]

PFCV-12-X-X-XX-X-X-XXX X

- | | |
|--|--|
| <p>BASIC</p> <p>SIZE
12 = 1.062"-12UNF</p> <p>SEALS
N = BUNA "N"
V = VITON</p> <p>STYLE
C = NORMALLY CLOSED
O = NORMALLY OPEN</p> <p>REGULATED FLOW
06 = 0 TO 6.0 GPM
12 = 0 TO 12.0 GPM
18 = 0 TO 18.0 GPM
24 = 0 TO 24.0 GPM</p> <p>"A" = ALUM. HOUSING
"S" = STEEL HOUSING</p> | <p>TERMINALS
L = 18GA. 24" LEADS
T = SPADE TERM.
B = BOLT TERM.
G = DIN43650
W = WEATHER-PACK
D = DEUTSCH-DT04-2P
M = METRI-PACK CONN.</p> <p>VOLTAGE AMPS
12D = 12 VDC 3.00
24D = 24 VDC 1.50</p> <p>ADJUSTMENT OPTIONS
O = NONE
M = MANUAL OVERRIDE</p> <p>PORTS
0 = CARTRIDGE ONLY
04BX = G 1/2" BSPP
06BX = G 3/4" BSPP
10TX = SAE - #10
12TX = SAE - #12</p> |
|--|--|



PROPORTIONAL, IN-LINE TYPE, FLOW CONTROL VALVE.**DESCRIPTION**

This valve is a cartridge style, electro-hydraulic, proportional, in-line (RESTRICTIVE) type, hydraulic non-compensated flow control. Regulated flow Normally Closed 0 to 24.0 GPM [0 to 91,2 L/M] max. Normally Open 24.0 to 0 GPM [91,2 to 0 L/m] @ 160 PSI DELTA P. Flow is proportional to the current input.

OPERATIONS

This unit is a direct acting (NO PILOT FLOW), electro-hydraulic, proportional, non-compensated, flow control valve. When the coil is energized the armature moves the metering orifice to open or to closed position against a precision bias spring varying the flow.

When current is increased or decreased to the coil the flow will increase or decrease proportionally.

IN THE EVENT OF POWER FAILURE THE VALVE WILL CLOSE OR OPEN DEPENDING ON THE VALVE VERSION.

FEATURES AND BENEFITS

Continuous-duty, very low heat rise & waterproof solenoid coil.

Interchangeable solenoid coils & terminations options available.

Hardened precision fitted spool & sleeve provides reliable, long life.

Very efficient wet – armature solenoid core tube construction.

All external carbon steel parts are plated for longer life against the elements.

All cartridge valves are 100% functionally tested.

PROPORTIONAL, IN-LINE TYPE, FLOW CONTROL VALVE.**SPECIFICATIONS**

OPERATING PRESSURE: 5,000 PSI [350 Bar]

PROOF PRESSURE: 10,000 PSI [700 Bar]

REGULATED FLOW: 25.0 GPM [94,5 l/m] Max. See performance chart.

INTERNAL LEAKAGE: 30 cu.in/min [495 cc/m] @ 160 PSI DELTA P [11 Bar]

VALVE HOUSINGS: 2500 PSI [175 Bar] = Aluminum - Anodized.

5000 PSI [350 Bar] = Steel - Unplated.

OPERATING TEMPERATURE: -40° to +250° F. [-40° to +120° C.]

OPERATING MEDIA: All general purpose hydraulic fluids such as

MIL-H-5606, SAE-#10, SAE-#20, etc.

RESPONSE: The most efficient method to control this valve is with current control and a 50 Hz dither.

POWER REQUIREMENTS: 12 VDC, Operating current 0.4 to 2.4 AMPS.

24 VDC, Operating current 0.2 to 1.2 AMPS.

SEAL KIT: SKN-1222 Buna "N"

SKV-1222 Viton

INSTALLATION: Flow 1-2 preferred, Max Flow 2-1 lower than shown on graph. Use undercuts in cavity to obtain max rated flow when using a pressure compensator in series. Pressure drop across valve must not exceed 300 PSI [21] bar.

WEIGHT: 0.84 lbs [0,38 kg] cartridge only.

1.09 lbs [0,50 kg] coil & housing.

1.10 lbs [0,50 kg] aluminum body.

4.20 lbs [1,90 kg] steel body.

VALVE CAVITY: #C1220, See Page 0-013.0.

info.el@bucherhydraulics.com

www.bucherhydraulics.com/commoncavity

© 2015 by Bucher Hydraulics, Inc., 2545 Northwest Parkway, Elgin, Illinois 60124, USA

All rights reserved.

The technical information in this catalog, may contain calculated figures (for reference only) and not actual performance data for this product.

Data is provided for the purpose of product description only, and must not be construed as warranted characteristics in the legal sense.

The information does not relieve users from the duty of conducting their own evaluations and tests. Because the products are subject to continual improvement, we reserve the right to amend the product specifications contained in this catalogue.