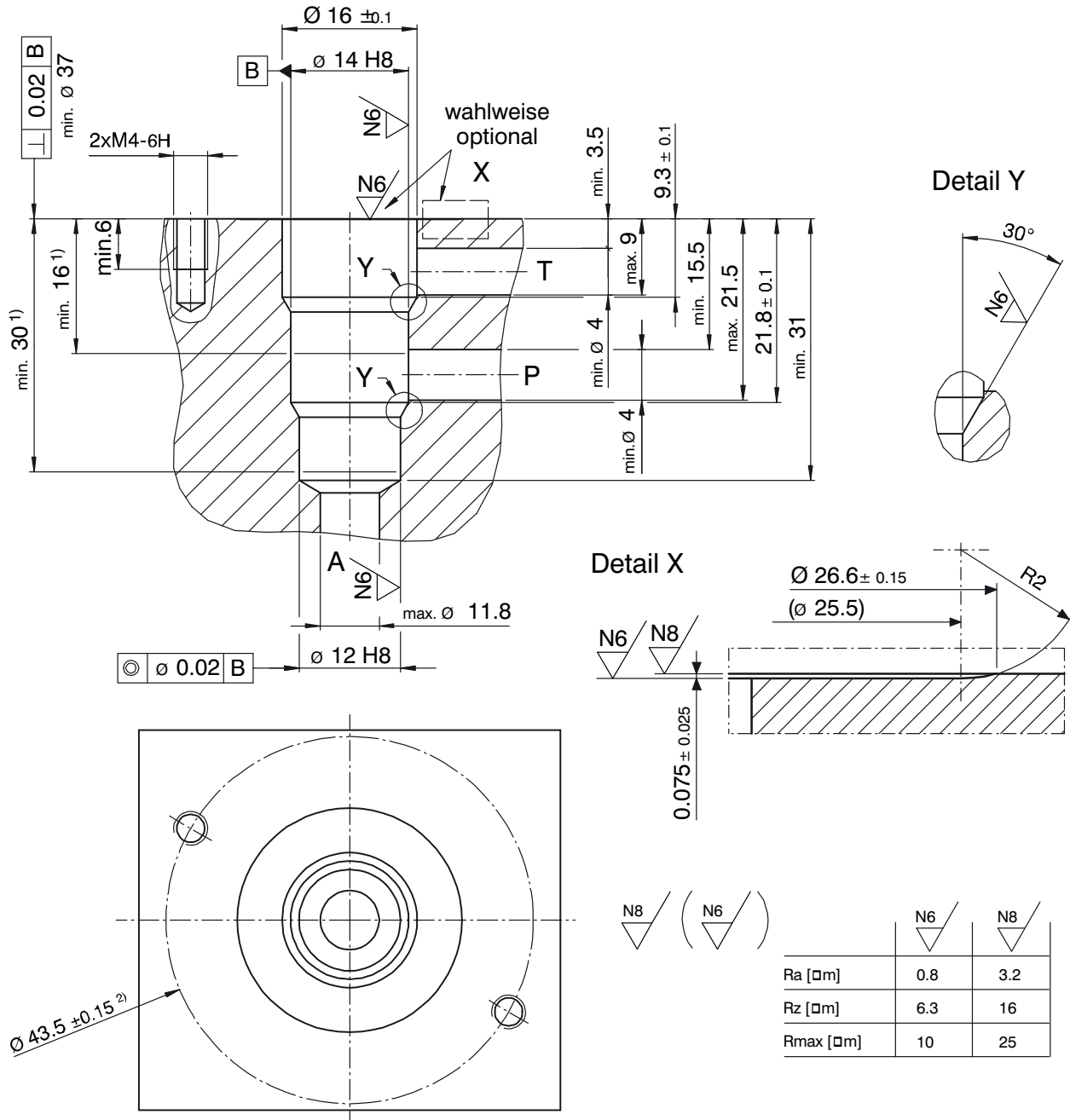


Cavity Type AGA



- 1) Minimum depth of specified diametral tolerance
- 2) The mounting holes can be at any desired position but must be at 180° to each other on the PCD.
Note: they must not affect the T and P drillings!

1 Machining notes



ATTENTION!

You must maintain the specified positional and diametral tolerances. To ensure trouble-free operation of the screw-in cartridges, we strongly recommend that pilot drilling, boring, reaming and cavity thread-cutting are always performed in one setup.



IMPORTANT!

To ensure proper sealing, machine either the seal depression as per Detail X, or the top surface N6 to a minimum $\varnothing 40$. In the case of the Bucher stepped reamer, the seal depression is incorporated in the tool.

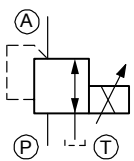


IMPORTANT!

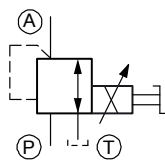
We offer form tool sets for sale or hire. For further information, see data sheet 400-P-040011-EN.

2 Cartridge valves

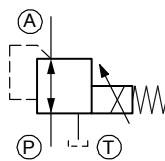
Proportional 3-way pressure-reducing cartridges



DDRCZ-7011...7055...



DDRCZ-7...S619



DRDRA-7...