

## Stacking Throttle/Check Valve, size 2 Series SRDA ..

with ISO 4401-02-01 interface

- Semi-cartridge Throttle/Check element
- Fine control in lower flow range
- Self-cleaning throttle area

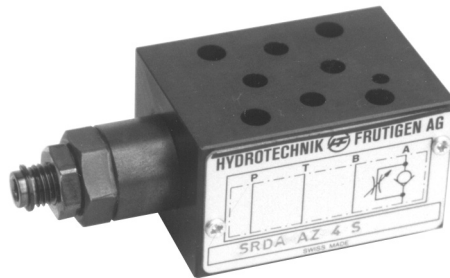
**M - 18.00**

Issue 08-97

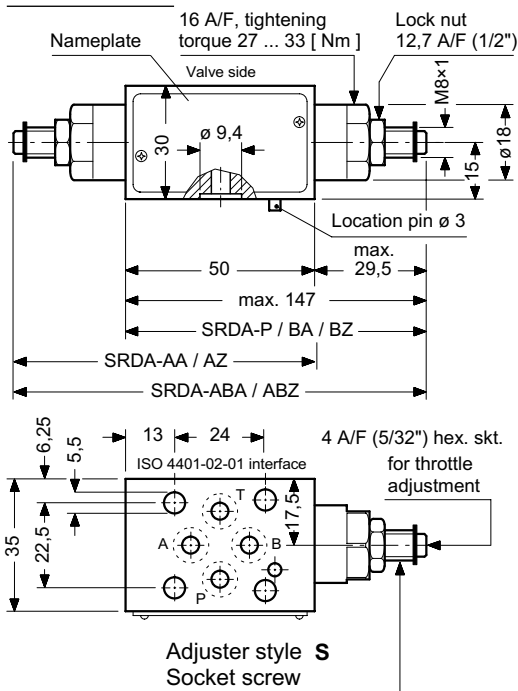
**4 mm nom.**

**p max. 250 [ bar ]**

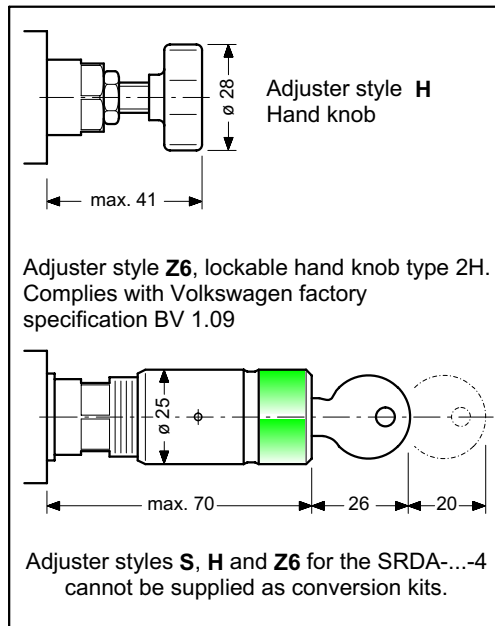
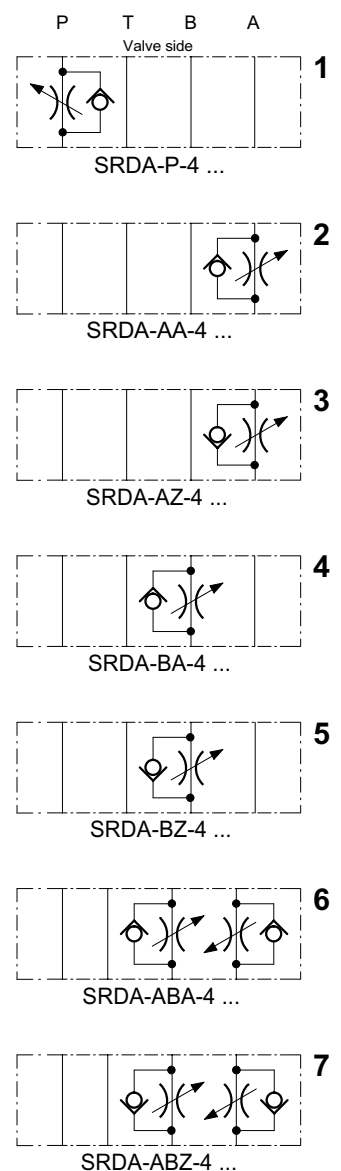
**Q max. 25 [ l/min ]**



### DIMENSIONS



### SYMBOLS



### DESCRIPTION

Series SRDA-...-4 stack mounting throttle/check valves are used to regulate the speed of actuators.

In one direction they allow free flow through the check valve (cracking pressure approximately 0,6 bar) and in the opposite direction flow is regulated by the throttle setting.

The meter-in function is normally used when there is a steady resistance from the cylinder or motor. The meter-out function generates back pressure for cases where the external load varies greatly, perhaps even becoming negative.

The  $\varnothing 3$  mm location pin on the actuator face of the valve prevents incorrect mounting.

Valves are shipped as standard with screw adjustment. Alternatively, they can be supplied with adjustment by hand knob, or lockable hand knob.

S1Z-1585 SUBJECT TO CHANGE WITHOUT NOTICE

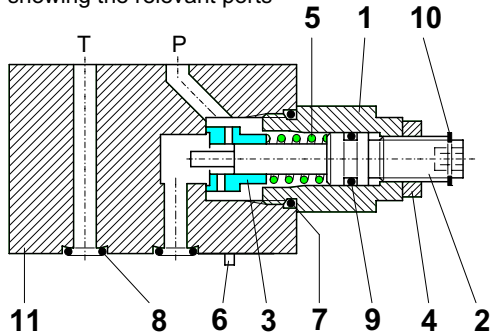
**PRINCIPAL CHARACTERISTICS**

Type	throttle/check slice valve
Design	spool type
Mounting method	stack mounting
Size	ISO 4401-02-01 interface
Mass	0,45 kg
Mounting attitude	unrestricted
Flow direction	see symbols
Operating pressure	... 250 bar in P, A, B and T ... 160 bar in T if used with WEDA-...-4 directional valve (data sheet W-12.00)

Cracking pressure	app. 0,6 bar in free flow direction
Fluids	Hydraulic oils HL and HLP to DIN 51 524 other fluids - contact HTF
Minimum fluid cleanliness	18/14 to ISO 4406 / Cetop RP70H 8 ... 9 to NAS 1638
Fluid temperature range	-20° ... +60° C
Viscosity range	10 ... 300 cSt
Flow rate, Q max.	25 l/min

**SCHEMATIC SECTION**

showing the relevant ports



**COMPONENTS / SERVICE PARTS**

lt.	Qty.	Description
1	2	Threaded housing $\varnothing$ 18 x 25
2	2	Adjuster screw $\varnothing$ 8,4 x 45
3	2	Throttle sleeve $\varnothing$ 11,5 x 7
4	2	Special nut M8x1 x 4
5	2	Spring 0,5 x 7,5 x 21 iG = 9,5
6	1	Roll pin $\varnothing$ 3 x 6 DIN 1481
7	1	Seal kit no. DS-211, comprising *):
	2*)	O-ring no. 014 $\varnothing$ 12,42 x 1,78 N90
	4*)	O-ring no. 010 $\varnothing$ 6,07 x 1,78 N90
	2*)	O-ring no. 009 $\varnothing$ 5,28 x 1,78 N90
10	2*)	Snap ring Type SS $\varnothing$ 7
11	-	Sandwich body Type XP-4 30 x 35 x 50
	-	Sandwich body Type XB-4 30 x 35 x 50
	-	Sandwich body Type XC-4 30 x 35 x 50
	-	Sandwich body Type XD-4 30 x 35 x 50
	-	Sandwich body Type XE-4 30 x 35 x 50
	-	Sandwich body Type X-4 30 x 35 x 50
	1	-

- SRDA-ABZ-4
- SRDA-ABA-4
- SRDA-BZ-4
- SRDA-BA-4
- SRDA-AZ-4
- SRDA-AA-4
- SRDA-P-4

TO ORDER SERVICE PARTS, STATE:

- complete unit model code from the nameplate, including the design number.
- part description from above list.
- part item number from above list.
- data sheet number, including issue date
- quantity required

**INSTALLATION AND SERVICING**

MUST BE CARRIED OUT WITH CARE, AND BY QUALIFIED PERSONNEL ONLY.

At installation, be sure to mount the valve the correct way up. Do not confuse the flat surface (directional valve side) and the surface with O-ring counterbores (actuator side).

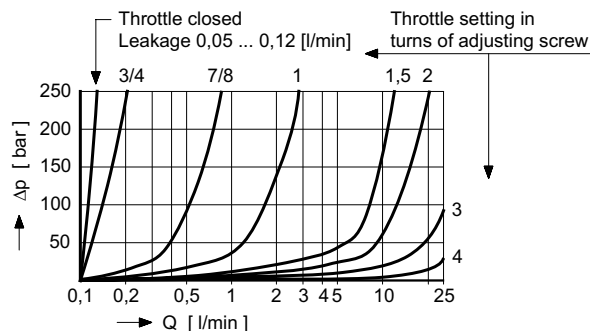
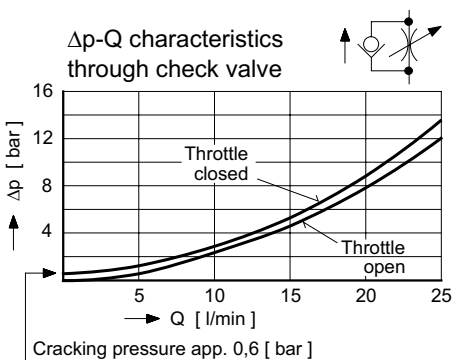
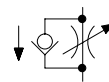
When changing seals, the new seals should be thoroughly oiled or greased before fitting them to the valve.

Use the correct tightening torque when fitting the cartridge.

**PERFORMANCE CHARACTERISTICS**

Oil viscosity 33 cSt

$\Delta p$ -Q characteristics at constant throttle settings

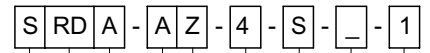


M-18.00

SUBJECT TO CHANGE WITHOUT NOTICE

MODEL CODE KEY

Ex.



- S = stacking valve
- RD = throttle/check function
- A ... Q = **standard** model per current data sheet
- Z ... R = special features by arrangement
- P = function in P
- A = function in A
- B = function in B
- AB = function in A and B
- A = meter-out function
- Z = meter-in function
- 4 = ISO 4401-02-02 interface
- S = with hex. skt. screw adjuster (**standard**)
- H = with hand knob adjuster type H
- Z = with lockable hand knob adjuster type Z6
- (Blank) = Nitrile seals (**standard**)
- V = Viton seals
- For special seals, contact HTF
- 1 ... 9 = design number (omit when ordering)

RELATED DATA SHEETS

i-30 = ISO 4401-02-01 interface