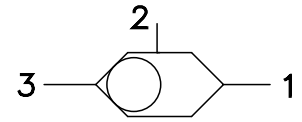
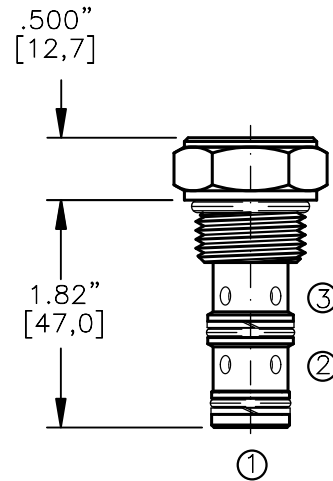
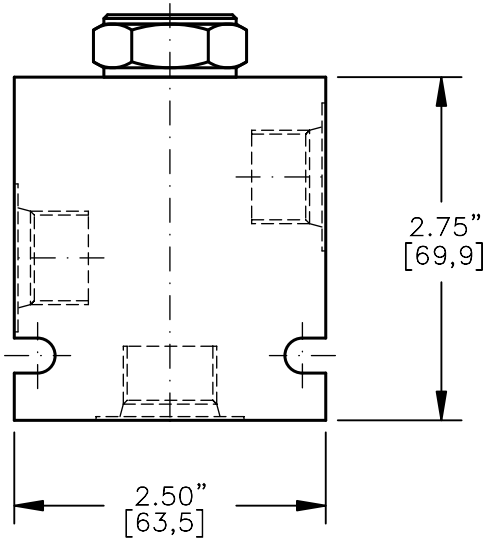
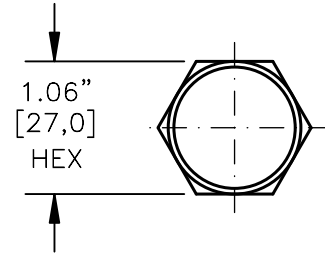


SHUTTLE VALVE  
TWO-POSITION, THREE-WAY, BALL TYPE.



TORQUE:

Steel = 55/60 Ft-Lb. [74/81 Nm]  
Aluminum = 35/40 Ft-Lb. [47/54 Nm]



FOR ALUMINUM OR STEEL VALVE HOUSING CONFIGURATIONS SEE PAGE 0-032.1

**BDSV-10-X-3-X-00**

BASIC

SIZE

10 = 7/8"-14 UNF

SEALS

N = BUNA "N"

V = VITON

STYLE

3 = 3 WAY

PORTS

0 = CARTRIDGE ONLY

02BX = G 1/4" BSPP

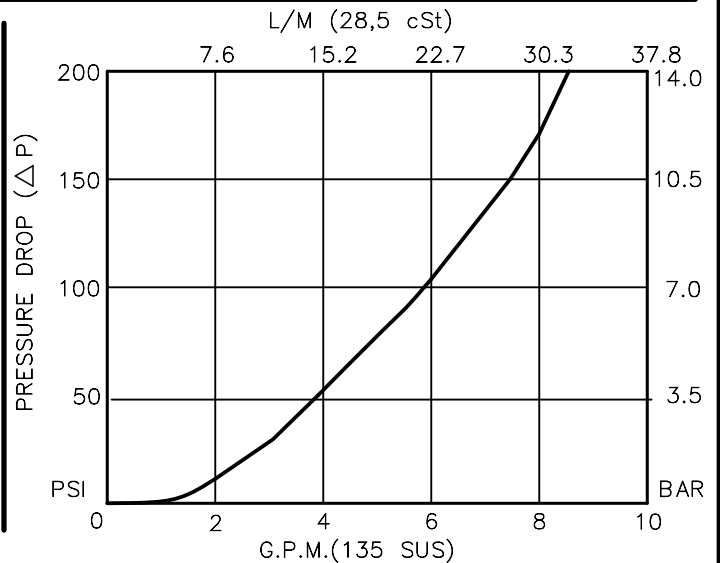
03BX = G 3/8" BSPP

06TX = SAE - #6

08TX = SAE - #8

"A" - ALUM. HOUSING

"S" - STEEL HOUSING



## SHUTTLE VALVE TWO-POSITION, THREE-WAY, BALL TYPE.

### DESCRIPTION

This unit is a SCREW IN, CARTRIDGE TYPE, THREE PORTED, TWO POSITION, HYDRAULIC SHUTTLE VALVE.

### OPERATIONS

This valve senses the higher of the two input pressures port #1 or #3 and routes it to the output port #2.

### FEATURES AND BENEFITS

A steel ball and a sharp steel seat assures rugged and reliable performance.

All external carbon steel parts are plated for longer life against the elements. All cartridge valves are 100% functionally tested.

Industry common cavity.

### SPECIFICATIONS

OPERATING PRESSURE: 5,000 PSI [350 Bar]

PROOF PRESSURE: 10,000 PSI [700 Bar]

FLOW: 6.0 GPM [23 l/m] nominal. See performance chart.

INTERNAL LEAKAGE: 5 drops/min maximum at 5,000 PSI.

VALVE HOUSINGS: 2500 PSI [175 Bar] = Aluminum - Anodized.

5000 PSI [350 Bar] = Steel - Unplated.

OPERATING TEMPERATURE: -40° to +250° F. [-40° to +120° C.]

OPERATING MEDIA: All general purpose hydraulic fluids such as MIL-H-5606, SAE-#10, SAE-#20, etc.

INSTALLATION: No restriction.

FILTRATION: 25 microns or better.

SEAL KIT NUMBER: SKN-1031 for buna "n".

SKV-1031 for viton.

WEIGHT: 0.25 lb [.11 kg] cartridge only.

VALVE CAVITY: #C1030, See Page 0-032.0.

info.el@bucherhydraulics.com

www.bucherhydraulics.com/commoncavity

© 2015 by Bucher Hydraulics, Inc., 2545 Northwest Parkway, Elgin, Illinois 60124, USA

All rights reserved.

Data is provided for the purpose of product description only, and must not be construed as warranted characteristics in the legal sense.

The information does not relieve users from the duty of conducting their own evaluations and tests. Because the products are subject to continual improvement, we reserve the right to amend the product specifications contained in this catalogue.