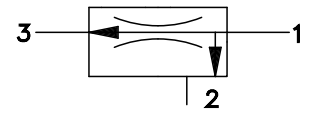


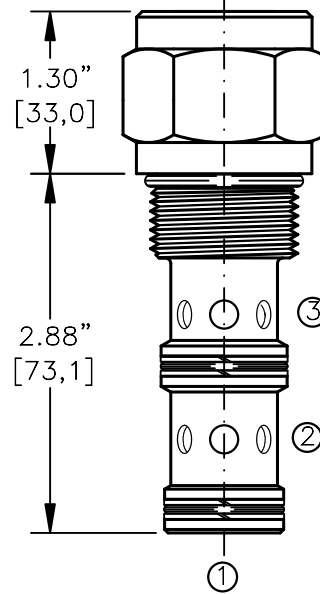
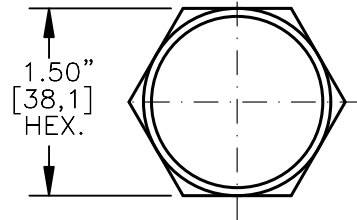
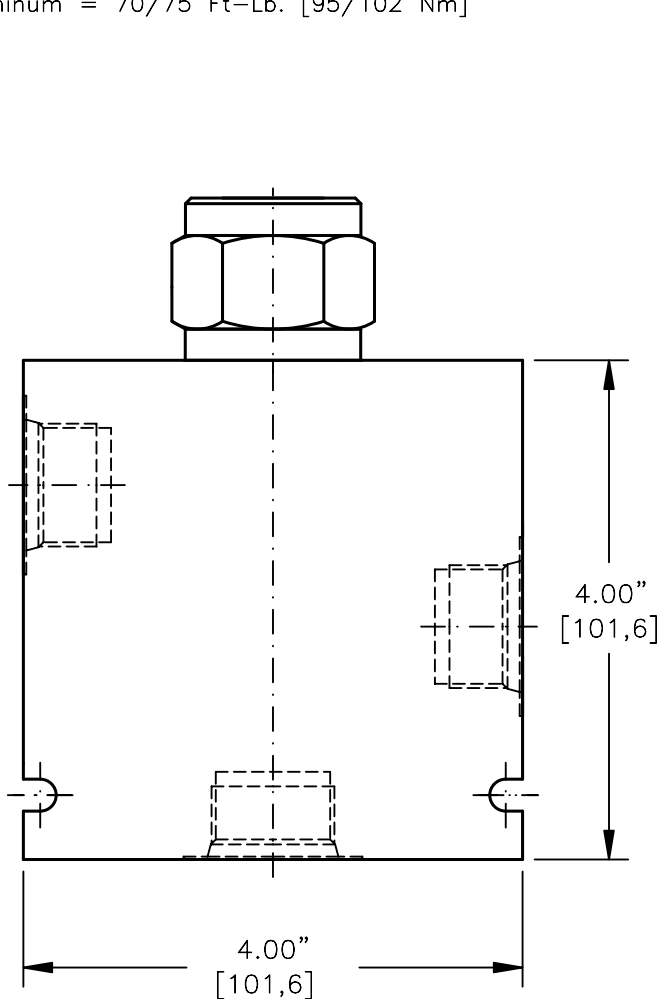
**FLOW CONTROL VALVE PRESSURE
COMPENSATED, FIXED ORIFICE, PRIORITY TYPE**



TORQUE:

Steel = 95/100 Ft-Lb. [129/136 Nm]

Aluminum = 70/75 Ft-Lb. [95/102 Nm]

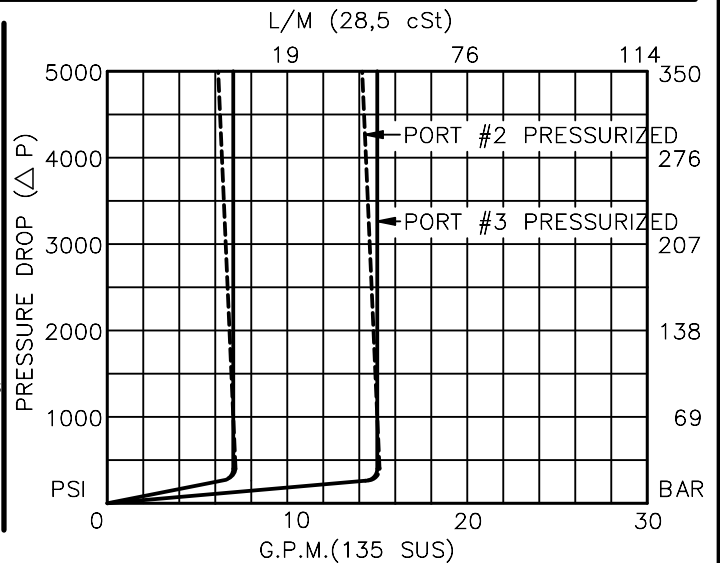


FOR ALUMINUM OR STEEL VALVE HOUSING CONFIGURATIONS SEE PAGE 0-034.1

BFCV-16-X-F-X-XX

- BASIC
- SIZE
16 = 1.312"-12 UNF
- SEALS
N = BUNA "N"
V = VITON
- ADJUSTMENT
F = FIXED (FACTORY SET)

- REGULATED FLOW TO BE SPECIFIED
EXAMPLE
1.5=1.5 GPM (5,7l/m)
- PORTS
0 = CARTRIDGE ONLY
06BX = G 3/4" BSPP
08BX = G 1" BSPP
12TX = SAE - #12
16TX = SAE - #16
- "A" - ALUM. HOUSING
"S" - STEEL HOUSING



FLOW CONTROL VALVE PRESSURE COMPENSATED, FIXED ORIFICE, PRIORITY TYPE

DESCRIPTION – FIXED

This unit is a SCREW IN, cartridge type, pressure compensated, fixed orifice, priority type hydraulic flow control valve.

FLOW RANGE: 0.5 TO 30.0 GPM [1,8 TO 114,0 L

OPERATIONS

Valve maintains constant flow from port 1 to 3 regardless of system pressure or load and excess flow is diverted to port 2. Flow from port 3 goes thru the control orifice to port 1 at non-compensated flow.

FEATURES AND BENEFITS

Valve is available with a fixed flow setting only.
All external carbon steel parts are plated for longer life against the elements.
All cartridge valves are 100% functionally tested.
Externally removable flow orifice disc.
Industry common cavity.

SPECIFICATIONS

OPERATING PRESSURE: 5,000 PSI (350 Bar)

PROOF PRESSURE: 10,000 PSI (700 Bar)

FLOW: 0.5 to 30.0 GPM [1,8 to 114,0 l/m] nominal. See performance chart.

FLOW ACCURACY:

0.5 to 4.0 GPM [1,8 to 15,0 L??– 10.0%

4.0 to 16.0 GPM [15,0 to 60,0 L??– 7.5%

16.0 to 30.0 GPM [60,0 to 114,0 L??– 5.0%

VALVE HOUSINGS: 2500 PSI [175 Bar] = Aluminum – Anodized.

5000 PSI [350 Bar] = Steel – Unplated.

OPERATING TEMPERATURE: -40° to +250° F. [-40° to +120° C.]

OPERATING MEDIA: All general purpose hydraulic fluids such as
MIL-H-5606, SAE-#10, SAE-#20, etc.

INSTALLATION: No restrictions.

SEAL KIT: SKN-1632 Buna "N".

SKV-1632 Viton.

WEIGHT: 1.40 lb [.64 kg] cartridge only.

VALVE CAVITY: #C1630, See Page 0-034.0.

info.el@bucherhydraulics.com

www.bucherhydraulics.com/commoncavity

© 2015 by Bucher Hydraulics, Inc., 2545 Northwest Parkway, Elgin, Illinois 60124, USA

All rights reserved.

Data is provided for the purpose of product description only, and must not be construed as warranted characteristics in the legal sense. The information does not relieve users from the duty of conducting their own evaluations and tests. Because the products are subject to continual improvement, we reserve the right to amend the product specifications contained in this catalogue.