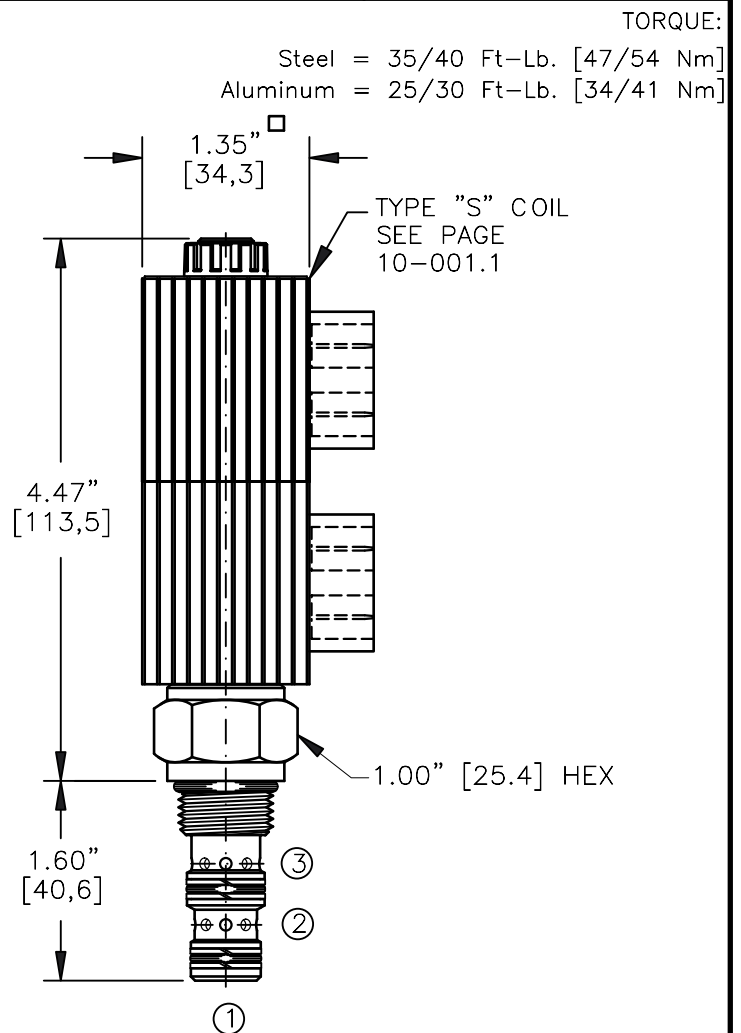
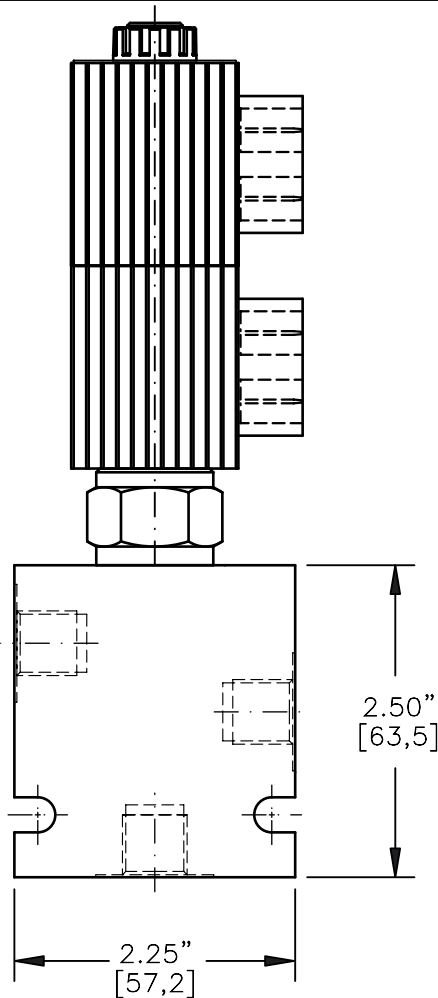
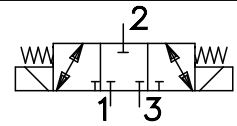


BIDIRECTIONAL CONTROL VALVE,
3-WAY 3-POSITION, SLIDING SPOOL TYPE



TORQUE:

Steel = 35/40 Ft-Lb. [47/54 Nm]
Aluminum = 25/30 Ft-Lb. [34/41 Nm]

NOTES:

1. FOR ALUMINUM OR STEEL VALVE HOUSING CONFIGURATIONS SEE PAGE 0-031.1
2. SOLENOIDS AVAILABLE WITH DIODES - CONSULT FACTORY.
3. FOR "AC" COILS USE RECTIFIED DIN CONNECTOR 20828.

EMBV-08-X-3J-X-XXX X

BASIC

SIZE
08 = 3/4"-16UNF

SEALS

N = BUNA "N"
V = VITON

TYPE

3J = "J" SPOOL
3-WAY, 3-POSITION

PORTS

0 = CARTRIDGE ONLY
02BX = G 1/4" BSSP
06TX = SAE - #6

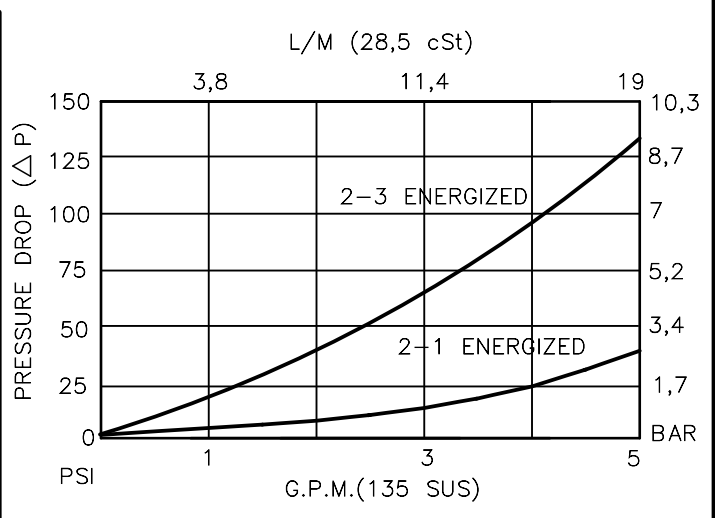
"A" = ALUM. HOUSING
"S" = STEEL HOUSING

TERMINALS

L = 18GA. 24" LEADS
T = SPADE TERM.
B = BOLT TERM.
G = DIN43650
W = WEATHER-PACK
D = DEUTSCH-DT04-2P
M = METRI-PACK CONN.

VOLTAGE AMPS

12D = 12 VDC 1.8
24D = 24 VDC .9
36D = 36 VDC .6
48D = 48 VDC .5
115D = 115 VDC .2



BIDIRECTIONAL CONTROL VALVE, 3-WAY 3-POSITION, SLIDING SPOOL TYPE

DESCRIPTION

This unit is a THREE-WAY, THREE POSITION, cartridge type, spool type, solenoid operated, directional control valve.

OPERATIONS

In the center condition, this valve allows no flow between ports 1, 2 and 3.

When upper coil is energized, the rod pulls the spool and allows flow between ports 2 and 1; blocking port 3.

When lower coil is energized, the rod pushes the spool and allows flow between ports 2 and 3; blocking port 1.

FEATURES AND BENEFITS

Continuous-duty, very low heat rise & waterproof solenoid coil.

Interchangeable solenoid coils & terminations options available.

Hardened precision fitted spool & sleeve provides reliable, long life.

Very efficient, wet-armature solenoid core tube construction.

All external carbon steel parts are plated for longer life against the elements.

All cartridge valves are 100% functionally tested.

Industry common cavity.

**BIDIRECTIONAL CONTROL VALVE,
3-WAY 3-POSITION, SLIDING SPOOL TYPE****SPECIFICATIONS**

OPERATING PRESSURE: 5,000 PSI [350 Bar]

PROOF PRESSURE: 10,000 PSI [700 Bar]

FLOW: 5.0 GPM [19 l/m] See performance chart.

INTERNAL LEAKAGE: 10 cu.in/min [164 cc/m] @ 5,000 PSI [350 Bar]

VALVE HOUSINGS: 2500 PSI [175 Bar] = Aluminum – Anodized.

5000 PSI [350 Bar] = Steel – Unplated.

OIL TEMPERATURE: -40° to +175° F. [-40° to +80° C.]

AMBIENT TEMPERATURE: -40° to +122° F. [-40° to +50° C.]

Please consult factory for continuously energized or
high ambient temperature application (>122° F [50°C])

OPERATING MEDIA: All general purpose hydraulic fluids such as
MIL-H-5606, SAE-#10, SAE-#20, etc.

RESPONSE TIME: First indication of change in pressure with 100%
voltage supplied @ 80% of nominal flow rating.

* Pull-in: 50 ms

* Drop-Out: 50 ms

SEAL KIT: SKN-0832 Buna "N"

SKV-0832 Viton

INSTALLATION: No restrictions.

WEIGHT: 1.95 lb [.88 kg] cartridge with coil only.

VALVE CAVITY: #C0830, See Page 0-031.0.

info.el@bucherhydraulics.com

www.bucherhydraulics.com/commoncavity

© 2015 by Bucher Hydraulics, Inc., 2545 Northwest Parkway, Elgin, Illinois 60124, USA

All rights reserved.

The technical information in this catalog, may contain calculated figures (for reference only) and not actual performance data for this product.

Data is provided for the purpose of product description only, and must not be construed as warranted characteristics in the legal sense.

The information does not relieve users from the duty of conducting their own evaluations and tests. Because the products are subject to continual improvement, we reserve the right to amend the product specifications contained in this catalogue.