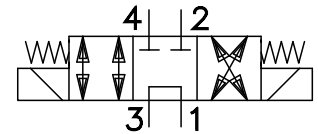
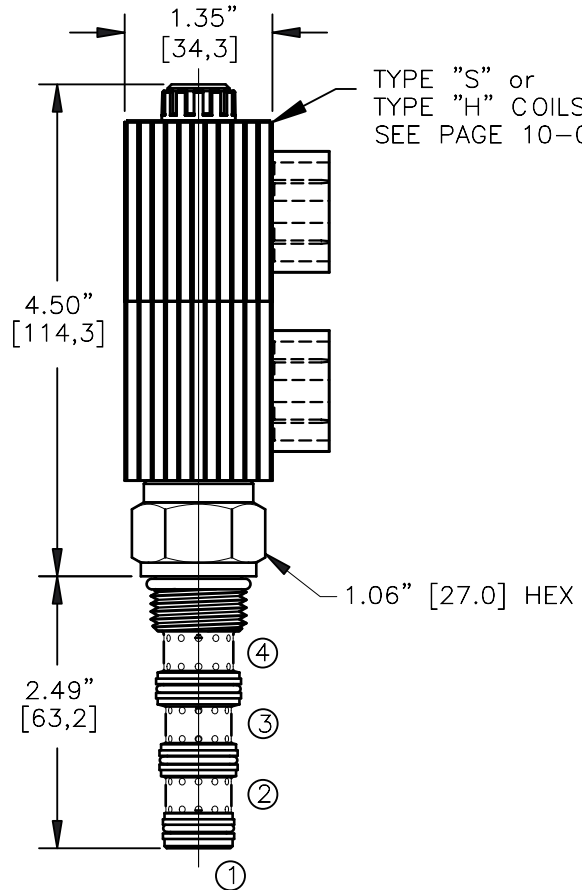
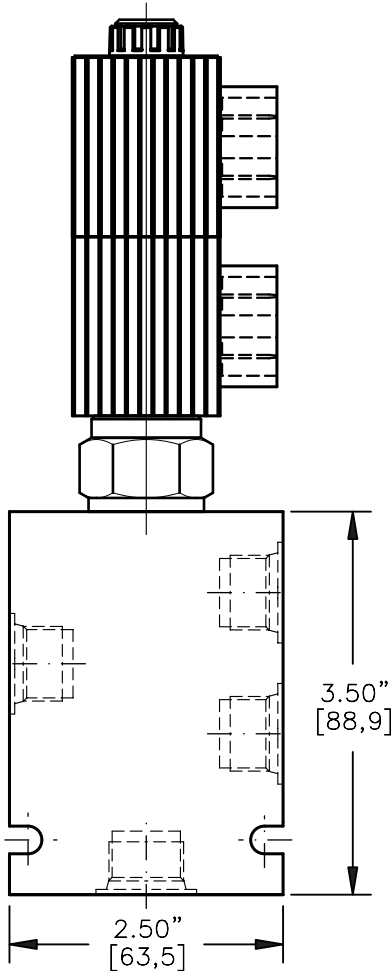


SOLENOID VALVE, 4-WAY, 3-POSITION.
DIRECT ACTING SPOOL



TORQUE:

Steel = 55/60 Ft-Lb. [74/81 Nm]
Aluminum = 35/40 Ft-Lb. [47/54 Nm]



NOTES:

- FOR ALUMINUM OR STEEL VALVE HOUSING CONFIGURATIONS SEE PAGE 0-042.1
- SOLENOIDS AVAILABLE WITH DIODES - CONSULT FACTORY.

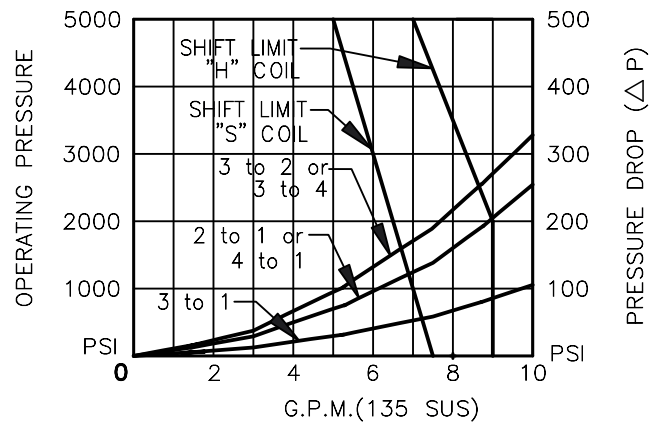
EMBV-10-X-4J-X-XXX X X

BASIC _____
 SIZE _____
 10 = 7/8"-14 UNF
 SEALS _____
 N = BUNA "N"
 V = VITON
 TYPE _____
 4J = "J" SPOOL
 4-WAY, 3-POSITION
 PORTS _____
 0 = CARTRIDGE ONLY
 02BX = G 1/4" BSPP
 03BX = G 3/8" BSPP
 06TX = SAE - #6
 08TX = SAE - #8
 "A" - ALUM. HOUSING
 "S" - STEEL HOUSING

H = ADD FOR TYPE "H" COIL
 TERMINALS
 L = 18GA. 24" LEADS
 T = SPADE TERM.
 B = BOLT TERM.
 G = DIN 43650
 W = WEATHER-PACK
 D = DEUTSCH-DT04-2P
 M = METRI-PACK CONN.
 VOLTAGE AMPS

	S	H
12D = 12 VDC	1.85	2.33
24D = 24 VDC	.92	1.17
36D = 36 VDC	.62	
48D = 48 VDC	.46	

CARTRIDGE ONLY



SOLENOID VALVE 4-WAY, 3-POSITION, SPOOL TYPE**DESCRIPTION**

This unit is a FOUR-WAY, THREE POSITION, cartridge type, spool type, direct acting, screw in type, solenoid operated, double coil, bidirectional tandem center selector valve.

OPERATIONS

At the initial position, this valve allows flow between ports 3 & 1 and blocks ports 2 & 4.

When the upper solenoid coil is energized, the spool in this valve is shifted and allows flow between ports 2 and 3 and ports 1 and 4.

When the lower solenoid coil is energized, the spool in this valve is shifted and allows flow between ports 3 and 4 and ports 2 and 1.

FEATURES AND BENEFITS

Continuous-duty, very low heat rise & waterproof solenoid coils.

Interchangeable solenoid coils & terminations options available.

Hardened precision fitted spool & sleeve provides reliable, long life.

Very efficient, wet-armature solenoid core tube construction.

All external carbon steel parts are plated for longer life against the elements.

All cartridge valves are 100% functionally tested.

Industry common cavity.

SOLENOID VALVE 4-WAY, 3-POSITION, SPOOL TYPE

SPECIFICATIONS

OPERATING PRESSURE: 5,000 PSI [350 Bar]
PROOF PRESSURE: 10,000 PSI [700 Bar]
FLOW: 6.0 GPM [34,1 l/m] max. (SEE PERFORMANCE CHART)
INTERNAL LEAKAGE: 20cu.in/min [328 cc/m] @ 5,000 PSI [350 Bar]
VALVE HOUSINGS: 2500 PSI [175 Bar] = Aluminum - Anodized.
5000 PSI [350 Bar] = Steel - Unplated.
OIL TEMPERATURE: -40° to +175° F. [-40° to +80° C.]
AMBIENT TEMPERATURE: -40° to +122° F. [-40° to +50° C.]
Please consult factory for continuously energized or
high ambient temperature application (>122° F [50°C])
OPERATING MEDIA: All general purpose hydraulic fluids such as
MIL-H-5606, SAE-#10, SAE-#20, etc.
RESPONSE TIME: First indication of change in pressure with 100%
voltage supplied @ 80% of nominal flow rating.
* Pull-in: 50 ms
* Drop-Out: 50 ms
SEAL KIT: SKN-1042 Buna "N"
SKV-1042 Viton
WEIGHT: 2.1 lb [.95 kg] cartridge with coils only.
VALVE CAVITY: #C1040, See Page 0-042.0.

info.el@bucherhydraulics.com

www.bucherhydraulics.com/commoncavity

© 2015 by Bucher Hydraulics, Inc., 2545 Northwest Parkway, Elgin, Illinois 60124, USA

All rights reserved.

The technical information in this catalog, may contain calculated figures (for reference only) and not actual performance data for this product. Data is provided for the purpose of product description only, and must not be construed as warranted characteristics in the legal sense. The information does not relieve users from the duty of conducting their own evaluations and tests. Because the products are subject to continual improvement, we reserve the right to amend the product specifications contained in this catalogue.