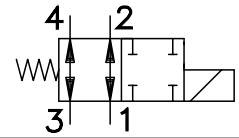
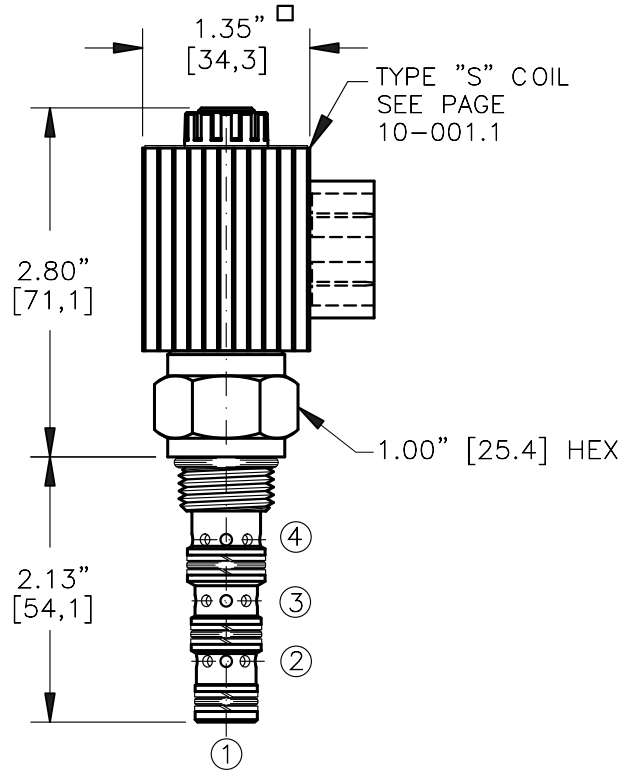
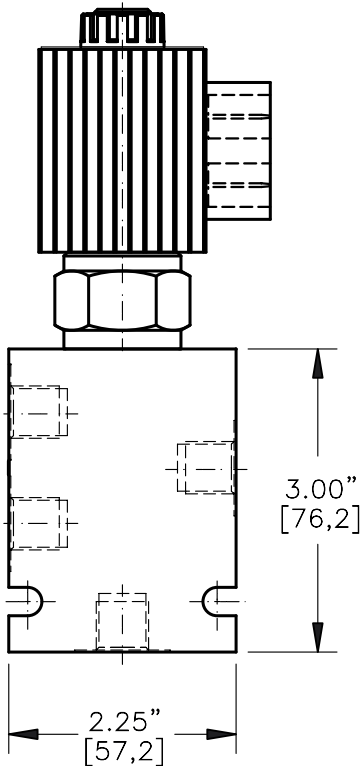


SOLENOID VALVE, 4-WAY, 2-POSITION.  
DIRECT ACTING, SPOOL TYPE (4/2)



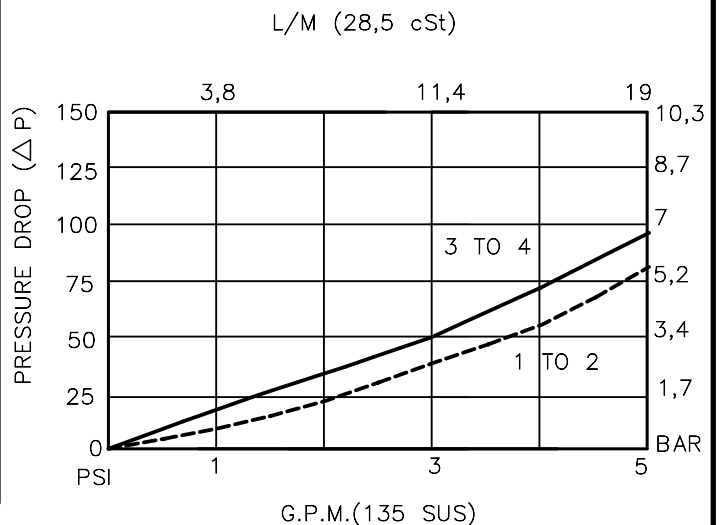
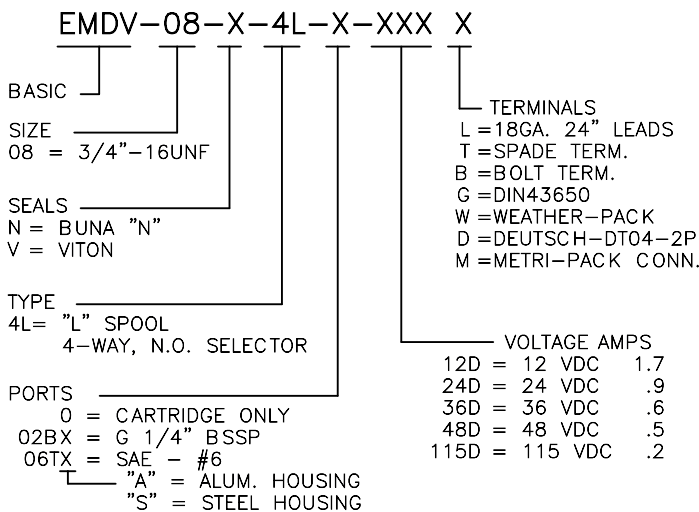
TORQUE:

Steel = 35/40 Ft-Lb. [47/54 Nm]  
Aluminum = 25/30 Ft-Lb. [34/41 Nm]



NOTES:

1. FOR ALUMINUM OR STEEL VALVE HOUSING CONFIGURATIONS SEE PAGE 0-041.1
2. SOLENOIDS AVAILABLE WITH DIODES - CONSULT FACTORY.
3. FOR "AC" COILS USE RECTIFIED DIN CONNECTOR 20828.



**SOLENOID VALVE 4-WAY, 2-POSITION,  
DIRECT ACTING, SPOOL TYPE (4/2)****DESCRIPTION**

This unit is a FOUR-WAY, TWO POSITION, cartridge type, spool type, direct acting, screw in type, solenoid operated, normally open selector valve.

**OPERATIONS**

When solenoid coil is de-energized, this valve allows flow from port 1 to 2, and port 3 to 4 and vice versa. When solenoid coil is energized, the spool in this valve is shifted and is closed at all ports.

**FEATURES AND BENEFITS**

Continuous-duty, very low heat rise & waterproof solenoid coil.  
Interchangeable solenoid coils & terminations options available.  
Hardened precision fitted spool & sleeve provides reliable, long life.  
Very efficient, wet-armature solenoid core tube construction.  
All external carbon steel parts are plated for longer life against the elements.  
All cartridge valves are 100% functionally tested.  
Industry common cavity.

**SOLENOID VALVE 4-WAY, 2-POSITION,  
DIRECT ACTING, SPOOL TYPE (4/2)****SPECIFICATIONS**

OPERATING PRESSURE: 5,000 PSI [350 Bar]

PROOF PRESSURE: 10,000 PSI [700 Bar]

FLOW: 5.0 GPM [19 l/m] See performance chart.

INTERNAL LEAKAGE: 5cu.in/min [82 cc/m] @ 5,000 PSI (350 Bar)

VALVE HOUSINGS: 2500 PSI [175 Bar] = Aluminum – Anodized.

5000 PSI [350 Bar] = Steel – Unplated.

OIL TEMPERATURE: -40° to +175° F. [-40° to +80° C.]

AMBIENT TEMPERATURE: -40° to +122° F. [-40° to +50° C.]

Please consult factory for continuously energized or  
high ambient temperature application (>122° F [50°C])

OPERATING MEDIA: All general purpose hydraulic fluids such as  
MIL-H-5606, SAE-#10, SAE-#20, etc.

RESPONSE TIME: First indication of change in pressure with 100%  
voltage supplied @ 80% of nominal flow rating.

\* Pull-in: 50 ms

\* Drop-Out: 50 ms

SEAL KIT: SKN-0842 Buna "N"

SKV-0842 Viton

WEIGHT: .98 lb [.44 kg] cartridge with coil only.

VALVE CAVITY: #C0840, See Page 0-041.0.