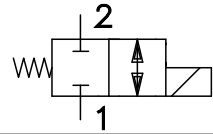
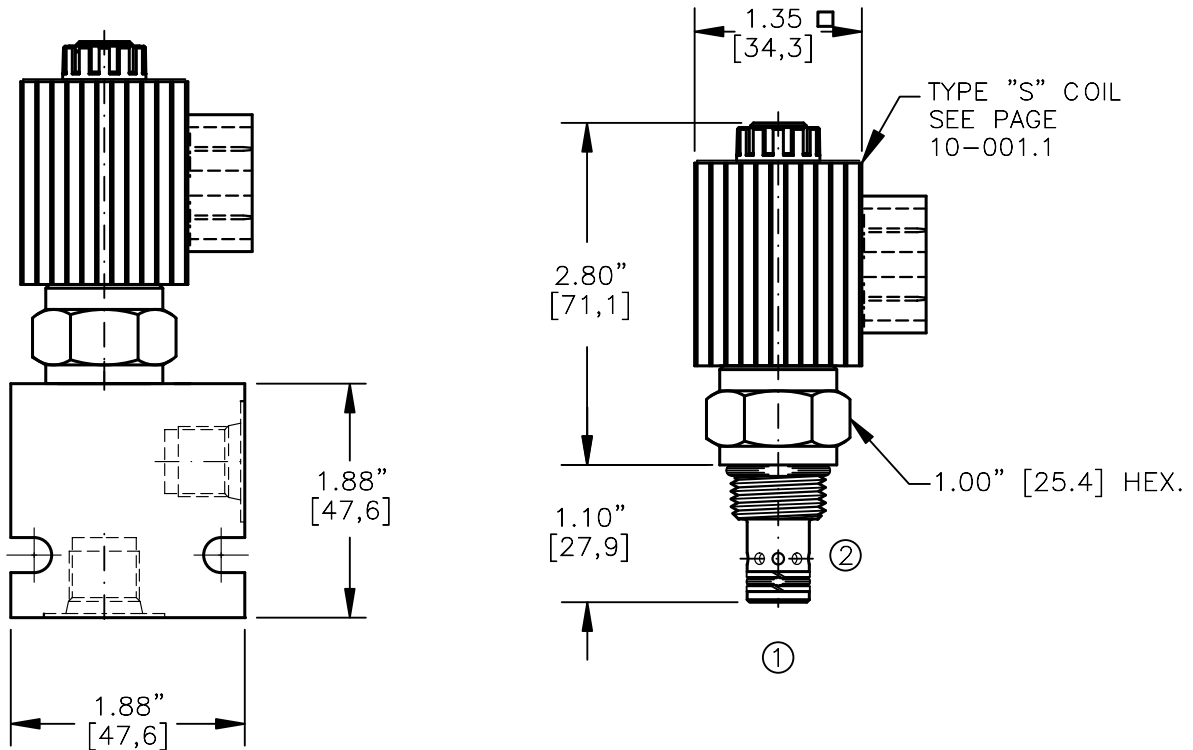


SOLENOID VALVE, NORMALLY CLOSED.  
DIRECT ACTING, SPOOL TYPE (2/2)



TORQUE:

Steel = 35/40 Ft-Lb. [47/54 Nm]  
Aluminum = 25/30 Ft-Lb. [34/41 Nm]



NOTES:

1. FOR ALUMINUM OR STEEL VALVE HOUSING CONFIGURATIONS SEE PAGE 0-011.1
2. SOLENOIDS AVAILABLE WITH DIODES - CONSULT FACTORY.
3. FOR "AC" COILS USE RECTIFIED DIN CONNECTOR 20828.

**EMDV-08-X-C6-X-XXX X**

BASIC

SIZE  
08 = 3/4"-16UNF

SEALS

N = BUNA "N"  
V = VITON

TYPE

C6=NORMALLY CLOSED SPOOL  
2-WAY, 2-POSITION

PORTS

0 = CARTRIDGE ONLY  
02BX = G 1/4" BSPP  
06TX = SAE - #6

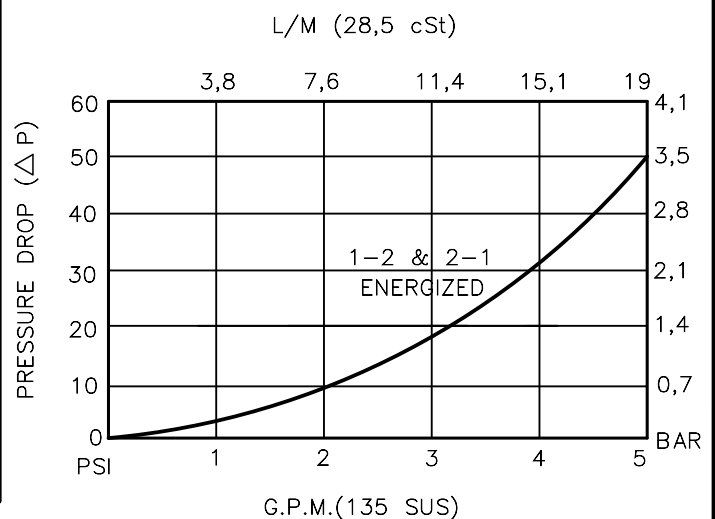
"A" = ALUM. HOUSING  
"S" = STEEL HOUSING

TERMINALS

L=18GA. 24" LEADS  
T=SPADE TERM.  
B=BOLT TERM.  
G=DIN43650  
W=WEATHER-PACK  
D=DEUTSCH-DT04-2P  
M=METRI-PACK CONN.

VOLTAGE AMPS

12D = 12 VDC 1.7  
24D = 24 VDC .9  
36D = 36 VDC .6  
48D = 48 VDC .5  
115D = 115 VDC .2



**SOLENOID VALVE, NORMALLY CLOSED,  
DIRECT ACTING, SPOOL TYPE (2/2)****DESCRIPTION**

This unit is a NORMALLY CLOSED, TWO POSITION, cartridge type, spool type, direct acting, screw in type, solenoid operated, directional control valve.

**OPERATIONS**

When solenoid coil is de-energized, this valve allows no flow from ports 1 to 2 or 2 to 1.

When solenoid coil is energized, the spool in this valve is shifted and allows flow between ports 1 and 2 and 2 and 1.

**FEATURES AND BENEFITS**

Continuous-duty, very low heat rise & waterproof solenoid coil.

Interchangeable solenoid coils & terminations options available.

Hardened precision fitted spool & sleeve provides reliable, long life.

Very efficient, wet-armature solenoid core tube construction.

All external carbon steel parts are plated for longer life against the elements.

All cartridge valves are 100% functionally tested.

Industry common cavity.

**SOLENOID VALVE, NORMALLY CLOSED,  
DIRECT ACTING, SPOOL TYPE (2/2)****SPECIFICATIONS**

OPERATING PRESSURE: 5,000 PSI [350 Bar]

PROOF PRESSURE: 10,000 PSI [700 Bar]

FLOW: 5.0 GPM [19 l/m] See performance chart.

INTERNAL LEAKAGE: 5 cu.in/min [82 cc/m] @ 5,000 PSI [350 Bar]

VALVE HOUSINGS: 2500 PSI [175 Bar] = Aluminum – Anodized.

5000 PSI [350 Bar] = Steel – Unplated.

OPERATING MEDIA: All general purpose hydraulic fluids such as  
MIL-H-5606, SAE-#10, SAE-#20, etc.

OIL TEMPERATURE: -40° to +175° F. [-40° to +80° C.]

AMBIENT TEMPERATURE: -40° to +122° F. [-40° to +50° C.]

Please consult factory for continuously energized or  
high ambient temperature application (>122° F [50°C])

RESPONSE TIME: First indication of change in pressure with 100%  
voltage supplied @ 80% of nominal flow rating.

\* Pull-in: 50 ms.      \* Drop-Out: 50 ms.

SEAL KIT: SKN-0822 Buna "N"

SKV-0822 Viton

INSTALLATION: No restrictions.

WEIGHT: .80 lb [0,36 kg] cartridge with coil only.

VALVE CAVITY: #C0820, See Page 0-011.0.