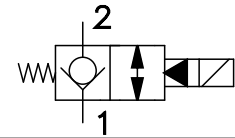
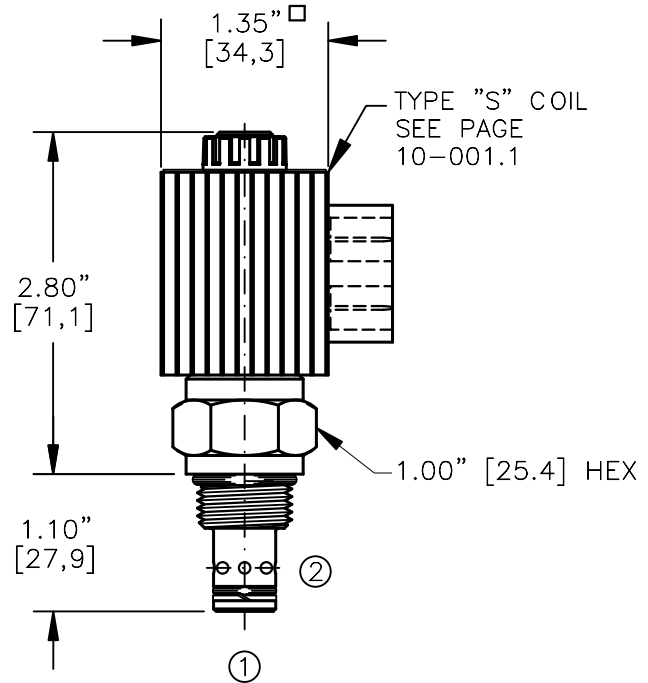
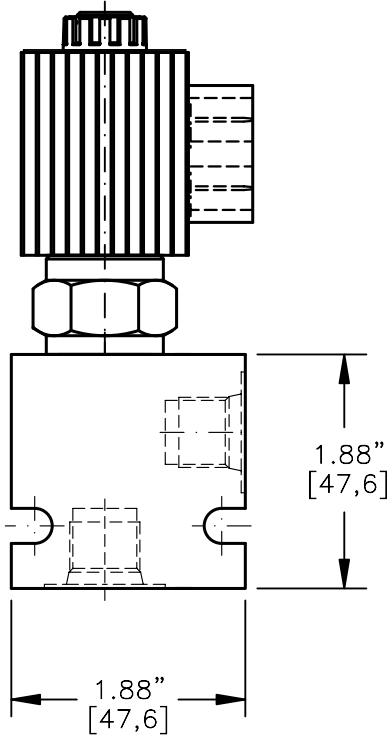


SOLENOID VALVE, NORMALLY CLOSED.
PILOT OPERATED, POPPET TYPE (2/2)



TORQUE:

Steel = 35/40 Ft-Lb. [47/54 Nm]
Aluminum = 25/30 Ft-Lb. [34/41 Nm]



NOTES:

1. FOR ALUMINUM OR STEEL VALVE HOUSING CONFIGURATIONS SEE PAGE 0-011.1
2. SOLENOIDS AVAILABLE WITH DIODES - CONSULT FACTORY.
3. FOR "AC" COILS USE RECTIFIED DIN CONNECTOR 20828.

EMDV-08-X-C8-X-XXX X

BASIC

SIZE

08 = 3/4"-16UNF

SEALS

N = BUNA "N"

V = VITON

TYPE

C8=NORMALLY CLOSED POPPET
2-WAY, 2-POSITION

PORTS

0 = CARTRIDGE ONLY

02BX = G 1/4" BSSP

06TX = SAE - #6

"A" = ALUM. HOUSING

"S" = STEEL HOUSING

TERMINALS

L = 18GA. 24" LEADS

T = SPADE TERM.

B = BOLT TERM.

G = DIN43650

W = WEATHER-PACK

D = DEUTSCH-DT04-2P

M = METRI-PACK CONN.

VOLTAGE AMPS

12D = 12 VDC 1.7

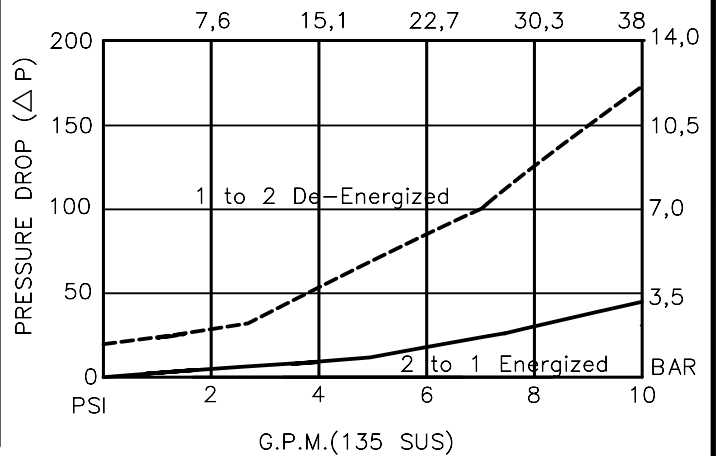
24D = 24 VDC .9

36D = 36 VDC .6

48D = 48 VDC .5

115D = 115 VDC .2

L/M (28,5 cSt)



**SOLENOID VALVE, NORMALLY CLOSED,
PILOT OPERATED, POPPET TYPE (2/2)****DESCRIPTION**

This unit is a NORMALLY CLOSED, TWO POSITION, cartridge type, poppet type, pilot operated, screw in type, solenoid operated, directional control valve.

OPERATIONS

When solenoid coil is de-energized, this valve allows no flow from ports 2 to 1 and free flow from ports 1 to 2. When solenoid coil is energized, the poppet in this valve is shifted and allows flow from port 2 to 1 and free flow from ports 1 and 2.

FEATURES AND BENEFITS

Continuous-duty, very low heat rise & waterproof solenoid coil.
Interchangeable solenoid coils & terminations options available.
Hardened precision fitted poppet & sleeve provides reliable, long life.
Very efficient, wet-armature solenoid core tube construction.
All external carbon steel parts are plated for longer life against the elements.
All cartridge valves are 100% functionally tested.
Industry common cavity.

**SOLENOID VALVE, NORMALLY CLOSED,
PILOT OPERATED, POPPET TYPE (2/2)****SPECIFICATIONS**

OPERATING PRESSURE: 5,000 PSI [350 Bar]

PROOF PRESSURE: 10,000 PSI [700 Bar]

FLOW: 10.0 GPM [38 l/m] See performance chart.

INTERNAL LEAKAGE: 5 drops/min [0.25 cc/m] @ 5,000 PSI (350 Bar)

VALVE HOUSINGS: 2500 PSI [175 Bar] = Aluminum – Anodized.

5000 PSI [350 Bar] = Steel – Unplated.

OIL TEMPERATURE: -40° to +175° F. [-40° to +80° C.]

AMBIENT TEMPERATURE: -40° to +122° F. [-40° to +50° C.]

Please consult factory for continuously energized or
high ambient temperature application (>122° F [50°C])

OPERATING MEDIA: All general purpose hydraulic fluids such as

MIL-H-5606, SAE-#10, SAE-#20, etc.

RESPONSE TIME: First indication of change in pressure with 100%
voltage supplied @ 80% of nominal flow rating.

* Pull-in: 50 ms

* Drop-Out: 50 ms

SEAL KIT: SKN-0821 Buna "N"

SKV-0821 Viton

INSTALLATION: No restrictions.

WEIGHT: .80 lb [0,36 kg] cartridge with coil only.

VALVE CAVITY: #C0820, See Page 0-011.0.