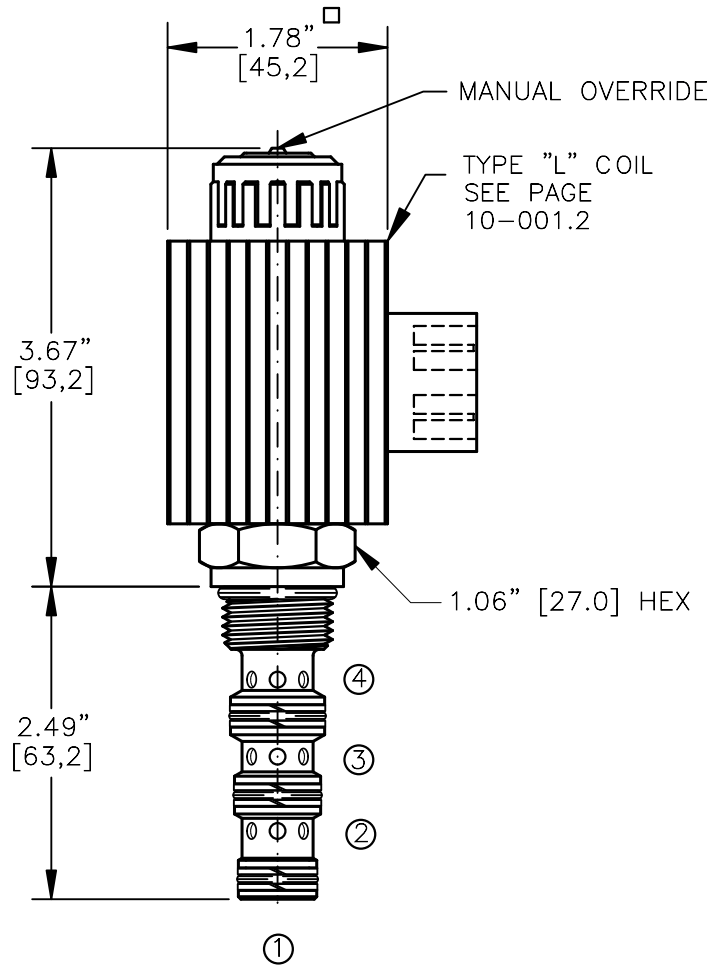
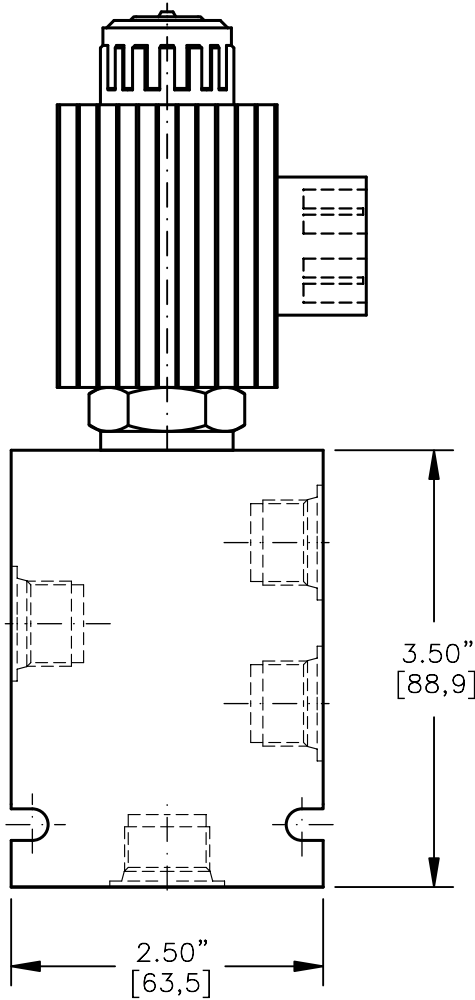
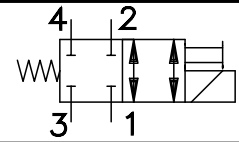


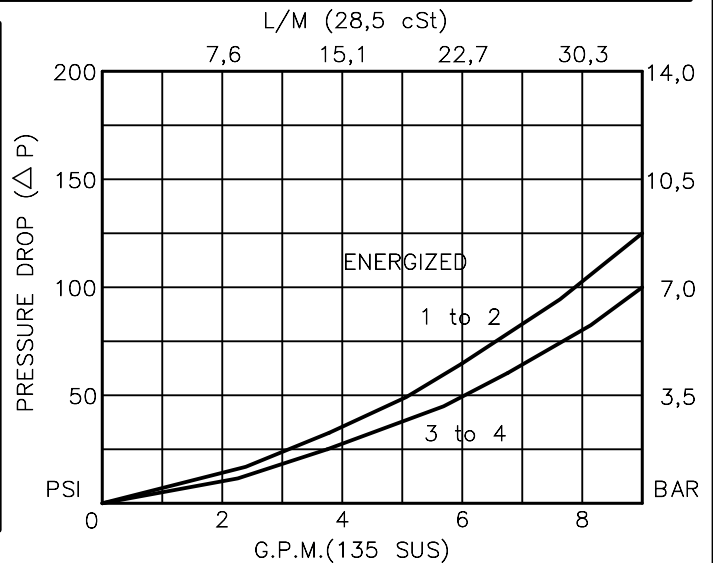
SOLENOID VALVE, 4-WAY, 2-POSITION.  
DIRECT ACTING, SPOOL TYPE (4/2)



TORQUE:  
Steel = 55/60 Ft-Lb. [74/81 Nm]  
Aluminum = 35/40 Ft-Lb. [47/54 Nm]

**EMDV-10-X-4B-X-XXX X**

- BASIC
- SIZE  
10 = 7/8"-14UNF
- SEALS  
N = BUNA "N"  
V = VITON
- TYPE  
4B = "B" SPOOL  
4-WAY, N.C. SELECTOR
- PORTS  
0 = CARTRIDGE ONLY  
02BX = G 1/4" BSPP  
03BX = G 3/8" BSPP  
06TX = SAE - #6  
08TX = SAE - #8  
"A" = ALUM. HOUSING  
"S" = STEEL HOUSING
- TERMINALS  
L = 18GA. 24" LEADS  
T = SPADE TERM.  
B = BOLT TERM.  
G = DIN43650  
W = WEATHER-PACK  
D = DEUTSCH-DT04-2P  
M = METRI-PACK CONN.
- VOLTAGE AMPS  
12D = 12 VDC 3.00  
24D = 24 VDC 1.50  
36D = 36 VDC 1.00  
48D = 48 VDC 0.75  
110D = 110 VDC 0.33  
115A = 115 VAC 0.32  
230A = 230 VAC 0.16



**SOLENOID VALVE 4-WAY, 2-POSITION,  
DIRECT ACTING, SPOOL TYPE (4/2)****DESCRIPTION**

This unit is a FOUR-WAY, TWO POSITION, cartridge type, spool type, direct acting, screw in type, solenoid operated, normally closed selector valve.

**OPERATIONS**

When solenoid coil is de-energized, this valve allows no flow between ports 1 and 2, ports 3 and 4.

When solenoid coil is energized, the spool in this valve is shifted and allows flow between ports 1 and 2, ports 3 and 4.

Manual Operator Standard: Push in and hold a small plunger on top of the valve with a screw driver or a similar plunger smaller than .188" dia.

**FEATURES AND BENEFITS**

Continuous-duty, very low heat rise & waterproof solenoid coil.

Interchangeable solenoid coils & terminations options available.

Hardened precision fitted spool & sleeve provides reliable, long life.

Very efficient, wet-armature solenoid core tube construction.

All external carbon steel parts are plated for longer life against the elements.

All cartridge valves are 100% functionally tested.

Industry common cavity.

**SOLENOID VALVE 4-WAY, 2-POSITION,  
DIRECT ACTING, SPOOL TYPE (4/2)**

**SPECIFICATIONS**

OPERATING PRESSURE: 5,000 PSI [350 Bar]  
 PROOF PRESSURE: 10,000 PSI [700 Bar]  
 FLOW: 8.0 GPM [30 l/m] See performance chart.  
 INTERNAL LEAKAGE: 5cu.in/min [82 cc/m] @ 5,000 PSI [350 Bar]  
 VALVE HOUSINGS: 2500 PSI [175 Bar] = Aluminum – Anodized.  
                           5000 PSI [350 Bar] = Steel – Unplated.  
 OIL TEMPERATURE: –40° to +175° F. [–40° to +80° C.]  
 AMBIENT TEMPERATURE: –40° to +122° F. [–40° to +50° C.]  
                           Please consult factory for continuously energized or  
                           high ambient temperature application (>122° F [50°C])  
 OPERATING MEDIA: All general purpose hydraulic fluids such as  
                           MIL-H-5606, SAE-#10, SAE-#20, etc.  
 RESPONSE TIME: First indication of change in pressure with 100%  
                           voltage supplied @ 80% of nominal flow rating.  
                           \* Pull-in: 50 ms  
                           \* Drop-Out: 50 ms  
 SEAL KIT: SKN-1042 Buna "N"  
                           SKV-1042 Viton  
 WEIGHT: 2.01 lb [.91 kg] cartridge with coil only.  
 VALVE CAVITY: #C1040, See Page 0-042.0.

info.el@bucherhydraulics.com

www.bucherhydraulics.com/commoncavity

© 2015 by Bucher Hydraulics, Inc., 2545 Northwest Parkway, Elgin, Illinois 60124, USA

All rights reserved.

The technical information in this catalog, may contain calculated figures (for reference only) and not actual performance data for this product. Data is provided for the purpose of product description only, and must not be construed as warranted characteristics in the legal sense. The information does not relieve users from the duty of conducting their own evaluations and tests. Because the products are subject to continual improvement, we reserve the right to amend the product specifications contained in this catalogue.