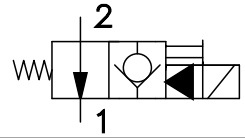
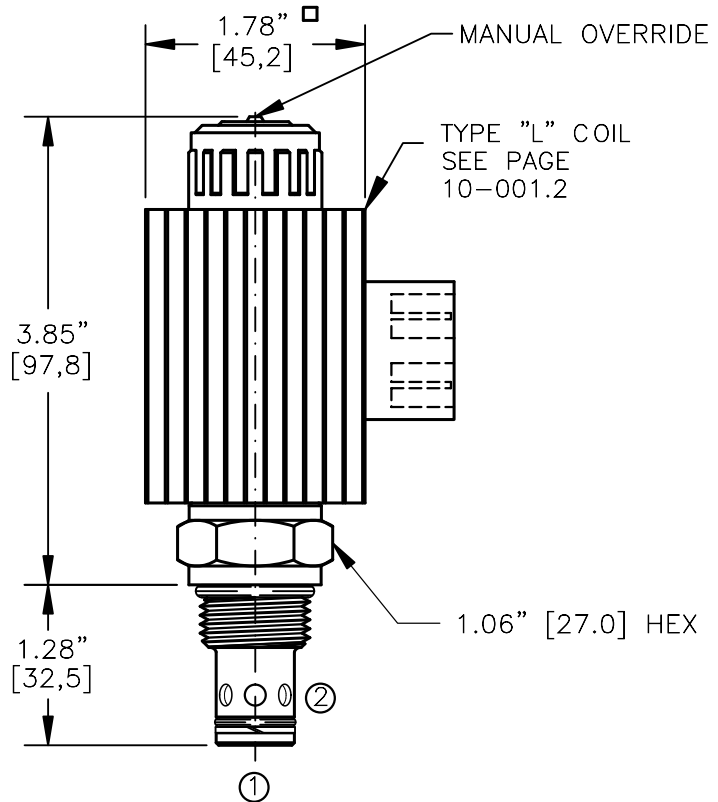
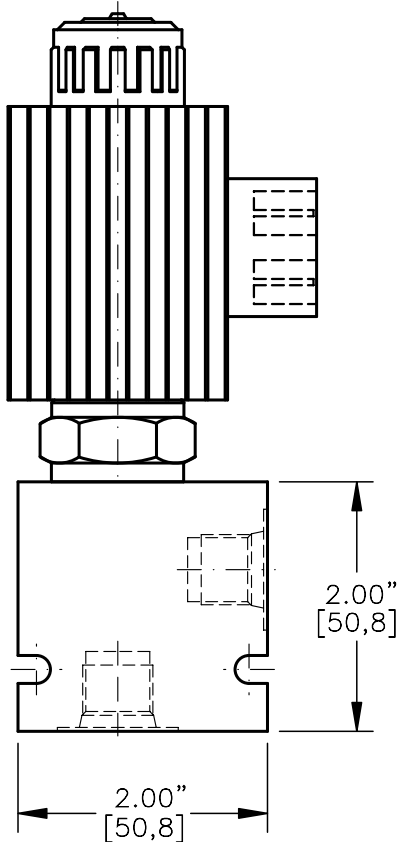


SOLENOID VALVE, NORMALLY OPEN.  
PILOT OPERATED, POPPET TYPE (2/2)



TORQUE:

Steel = 55/60 Ft-Lb. [74/81 Nm]  
Aluminum = 35/40 Ft-Lb. [47/54 Nm]



NOTES:

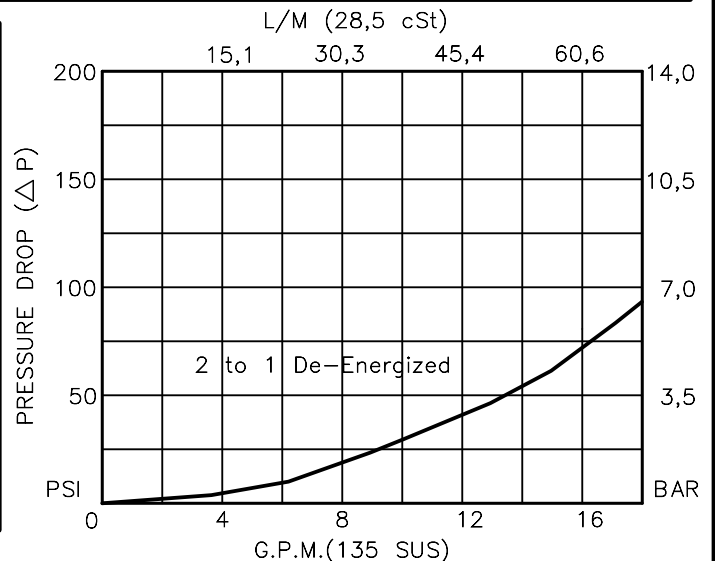
1. FOR ALUMINUM OR STEEL VALVE HOUSING CONFIGURATIONS SEE PAGE 0-012.1
2. SOLENOIDS AVAILABLE WITH DIODES - CONSULT FACTORY.
3. ALL A.C. COILS ARE INTERNALLY A.C. TO D.C. RECTIFIED.
4. FOR SOFT SHIFT SOLENOID VALVE SEE PAGE 10-002.0

**EMDV-10-X-O2-X-XXX X**

BASIC \_\_\_\_\_  
 SIZE \_\_\_\_\_  
 10 = 7/8"-14UNF  
 SEALS \_\_\_\_\_  
 N = BUNA "N"  
 V = VITON  
 TYPE \_\_\_\_\_  
 O2=NORMALLY OPEN POPPET  
 2-WAY, 2-POSITION  
 PORTS \_\_\_\_\_  
 0 = CARTRIDGE ONLY  
 02BX = G 1/4" BSP  
 03BX = G 3/8" BSP  
 06TX = SAE - #6  
 08TX = SAE - #8  
 "A" = ALUM. HOUSING  
 "S" = STEEL HOUSING

TERMINALS  
 L = 18GA. 24" LEADS  
 T = SPADE TERM.  
 B = BOLT TERM.  
 G = DIN43650  
 W = WEATHER-PACK  
 D = DEUTSCH-DT04-2P  
 M = METRI-PACK CONN.

VOLTAGE	AMPS
12D = 12 VDC	3.00
24D = 24 VDC	1.50
36D = 36 VDC	1.00
48D = 48 VDC	0.75
110D = 110 VDC	0.33
115A = 115 VAC	0.32
230A = 230 VAC	0.16



**SOLENOID VALVE, NORMALLY OPEN,  
PILOT OPERATED, POPPET TYPE (2/2)****DESCRIPTION**

This unit is a NORMALLY OPEN, TWO POSITION, cartridge type, poppet type, pilot operated, screw in type, solenoid operated, directional control valve.

**OPERATIONS**

When solenoid coil is de-energized, this valve allows flow from ports 2 to 1 and restricted flow from ports 1 to 2. When solenoid coil is energized, the poppet in this valve is shifted and allows no flow from ports 2 to 1 and reverse flow between ports 1 and 2 is at high pressure drop. Manual Operator Standard: Push in and hold a small plunger on top of the valve with a screw driver or a similar plunger smaller than .188" dia.

**FEATURES AND BENEFITS**

Continuous-duty, very low heat rise & waterproof solenoid coil. Interchangeable solenoid coils & terminations options available. Hardened precision fitted poppet & sleeve provides reliable, long life. Very efficient, wet-armature solenoid core tube construction. All external carbon steel parts are plated for longer life against the elements. All cartridge valves are 100% functionally tested. Industry common cavity.

**SOLENOID VALVE, NORMALLY OPEN,  
PILOT OPERATED, POPPET TYPE (2/2)**

**SPECIFICATIONS**

OPERATING PRESSURE: 5,000 PSI [350 Bar]

PROOF PRESSURE: 10,000 PSI [700 Bar]

FLOW: 16.0 GPM [60 l/m] See performance chart.

INTERNAL LEAKAGE: 5 drops/min [,25 cc/m] energized @5000 PSI[350 Bar]

VALVE HOUSINGS: 2500 PSI [175 Bar] = Aluminum – Anodized.

5000 PSI [350 Bar] = Steel – Unplated.

OIL TEMPERATURE: -40° to +175° F. [-40° to +80° C.]

AMBIENT TEMPERATURE: -40° to +122° F. [-40° to +50° C.]

Please consult factory for continuously energized or  
high ambient temperature application (>122° F [50°C])

OPERATING MEDIA: All general purpose hydraulic fluids such as  
MIL-H-5606, SAE-#10, SAE-#20, etc.

RESPONSE TIME: First indication of change in pressure with 100%  
voltage supplied @ 80% of nominal flow rating.

\* Pull-in: 50 ms

\* Drop-Out: 50 ms

SEAL KIT: SKN-1021 Buna "N"

SKV-1021 Viton

INSTALLATION: No restrictions.

WEIGHT: 1.90 lb [0,86 kg] cartridge with coil only.

VALVE CAVITY: #C1020, See Page 0-012.0.