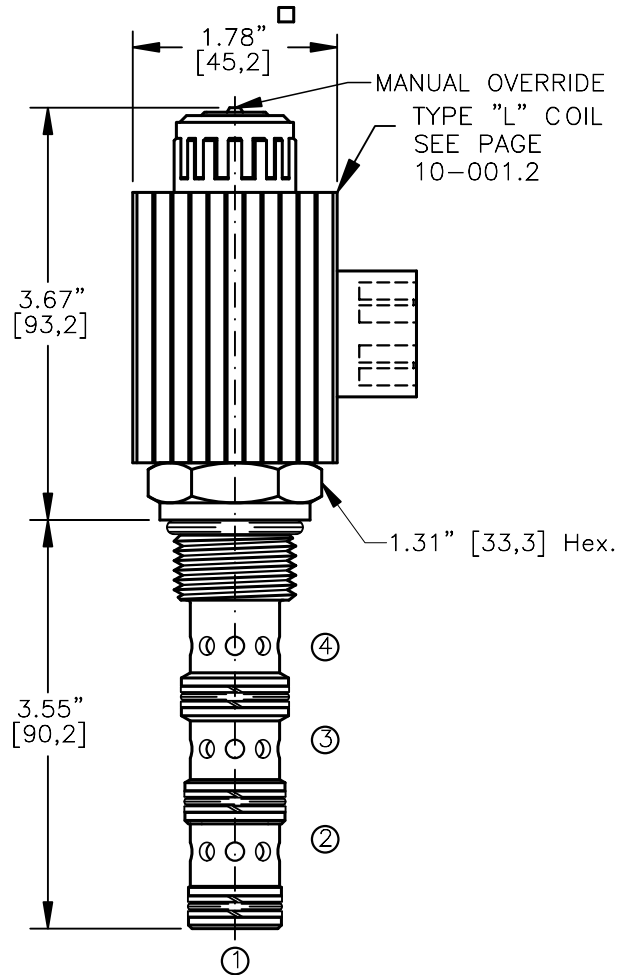
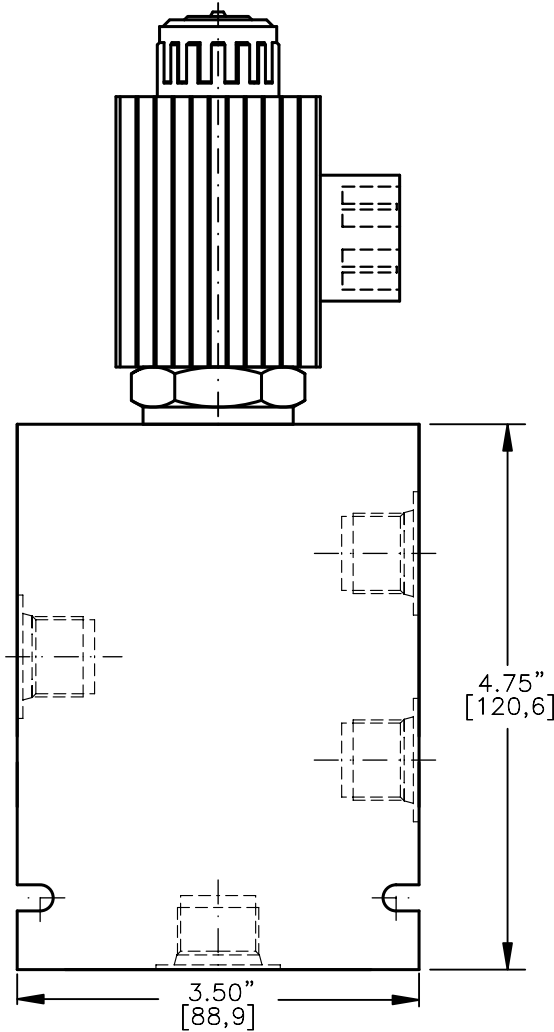
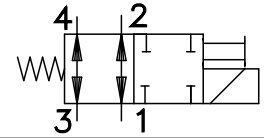


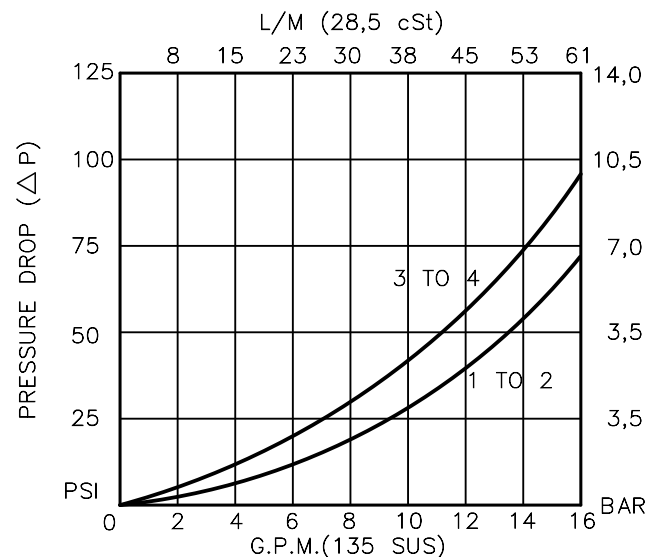
SOLENOID VALVE, 4-WAY, 2-POSITION.
DIRECT ACTING, SPOOL TYPE (4/2)



TORQUE:
Steel = 70/75 Ft-Lb. [95/102 Nm]
Aluminum = 55/60 Ft-Lb. [74/81 Nm]

EMDV-12-X-4C-X-XXX X

- BASIC
- SIZE
12 = 1.062"-12UNF
- SEALS
N = BUNA "N"
V = VITON
- TYPE
4C = "C" SPOOL
4-WAY, N.O. SELECTOR
- PORTS
0 = CARTRIDGE ONLY
04BX = G 1/2" BSPP
06BX = G 3/4" BSPP
10TX = SAE - #10
12TX = SAE - #12
"A" = ALUM. HOUSING
"S" = STEEL HOUSING
- TERMINALS
L = 18GA. 24" LEADS
T = SPADE TERM.
B = BOLT TERM.
G = DIN43650
W = WEATHER-PACK
D = DEUTSCH-DT04-2P
M = METRI-PACK CONN.
- VOLTAGE AMPS
12D = 12 VDC 3.00
24D = 24 VDC 1.50
36D = 36 VDC 1.00
48D = 48 VDC 0.75
110D = 110 VDC 0.33
115A = 115 VAC 0.32
230A = 230 VAC 0.16



**SOLENOID VALVE 4-WAY, 2-POSITION,
DIRECT ACTING, SPOOL TYPE (4/2)****DESCRIPTION**

This unit is a FOUR-WAY, TWO POSITION, cartridge type, spool type, direct acting, screw in type, solenoid operated, N.O. selector valve.

OPERATIONS

When solenoid coil is de-energized, this valve allows flow between ports 1 and 2, ports 3 and 4.

When solenoid coil is energized, the spool in this valve is shifted and does not allow flow between ports 1 and 2 and ports 3 and 4.

Manual Operator Standard: Push in and hold a small plunger on top of the valve with a screw driver or a similar plunger smaller than .188" dia.

FEATURES AND BENEFITS

Continuous-duty, very low heat rise & waterproof solenoid coil.

Interchangeable solenoid coils & terminations options available.

Hardened precision fitted spool & sleeve provides reliable, long life.

Very efficient, wet-armature solenoid core tube construction.

All external carbon steel parts are plated for longer life against the elements.

All cartridge valves are 100% functionally tested.

**SOLENOID VALVE 4-WAY, 2-POSITION,
DIRECT ACTING, SPOOL TYPE (4/2)****SPECIFICATIONS**

OPERATING PRESSURE: 5,000 PSI [350 Bar]

PROOF PRESSURE: 10,000 PSI [700 Bar]

FLOW: 16.0 GPM [60 l/m] See performance chart.

INTERNAL LEAKAGE: 5cu.in/min [82 cc/m] @ 5,000 PSI [350 Bar]

VALVE HOUSINGS: 2500 PSI [175 Bar] = Aluminum - Anodized.

5000 PSI [350 Bar] = Steel - Unplated.

OIL TEMPERATURE: -40° to +175° F. [-40° to +80° C.]

AMBIENT TEMPERATURE: -40° to +122° F. [-40° to +50° C.]

Please consult factory for continuously energized or

high ambient temperature application (>122° F [50°C])

OPERATING MEDIA: All general purpose hydraulic fluids such as

MIL-H-5606, SAE-#10, SAE-#20, etc.

RESPONSE TIME: First indication of change in pressure with 100%
voltage supplied @ 80% of nominal flow rating.

* Pull-in: 50 ms

* Drop-Out: 50 ms

SEAL KIT: SKN-1242 Buna "N"

SKV-1242 Viton

INSTALLATION: No restrictions.

WEIGHT: 2.13 lb [.97 kg] cartridge with coil only.

VALVE CAVITY: #C1240, See Page 0-043.0.