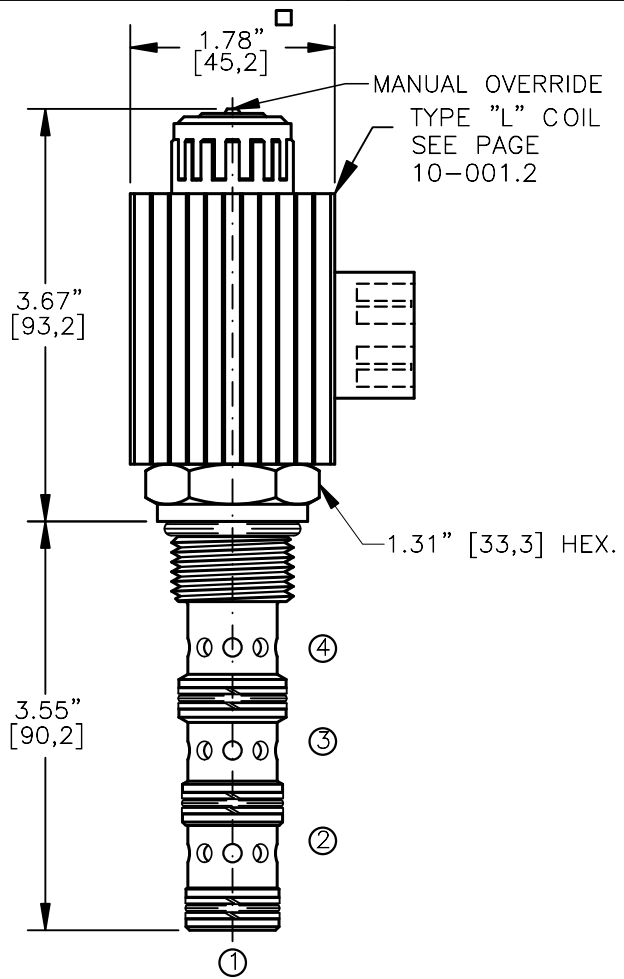
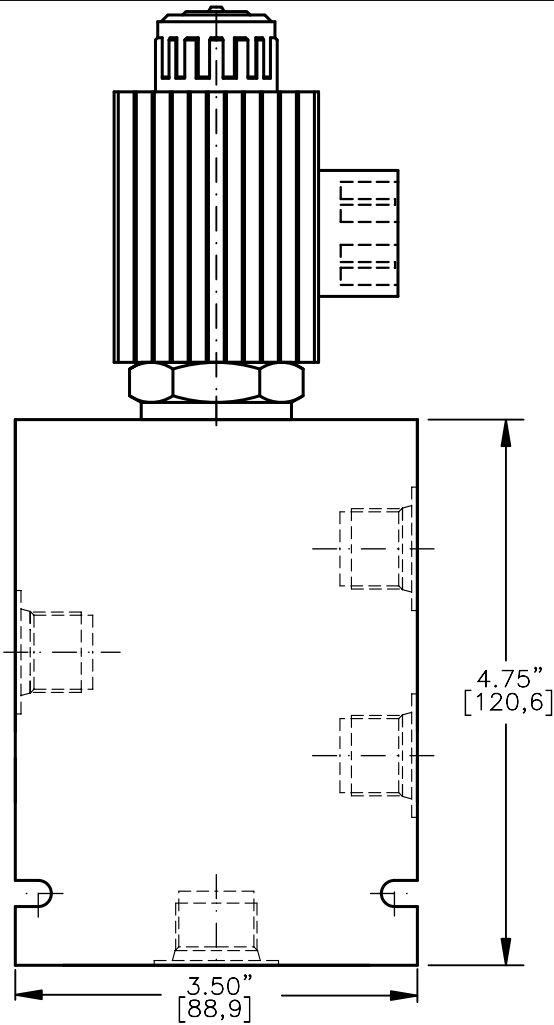
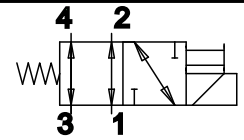


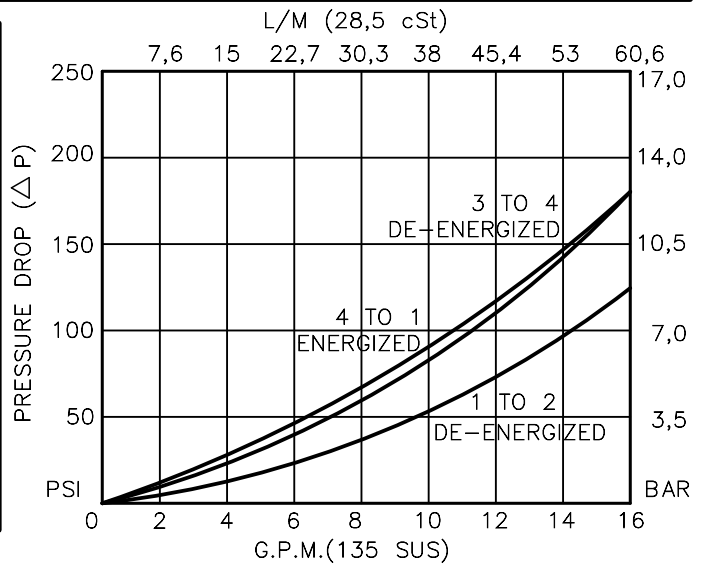
SOLENOID VALVE, 4-WAY, 2-POSITION.  
DIRECT ACTING, SPOOL TYPE (4/2)



TORQUE:  
Steel = 70/75 Ft-Lb. [95/102 Nm]  
Aluminum = 55/60 Ft-Lb. [74/81 Nm]

**EMDV-12-X-4E-X-XXX X**

<b>BASIC</b>	<b>TERMINALS</b>
SIZE	L = 18GA. 24" LEADS
12 = 1.062" - 12UNF	T = SPADE TERM.
	B = BOLT TERM.
<b>SEALS</b>	G = DIN43650
N = BUNA "N"	W = WEATHER-PACK
V = VITON	D = DEUTSCH-DT04-2P
	M = METRI-PACK CONN.
<b>TYPE</b>	<b>VOLTAGE</b>
4E = "E" SPOOL	<b>AMPS</b>
4-WAY, 2-POSITION	12D = 12 VDC 3.00
	24D = 24 VDC 1.50
<b>PORTS</b>	36D = 36 VDC 1.00
0 = CARTRIDGE ONLY	48D = 48 VDC 0.75
04BX = G 1/2" BSPP	110D = 110 VDC 0.33
06BX = G 3/4" BSPP	115A = 115 VAC 0.32
10TX = SAE - #10	230A = 230 VAC 0.16
12TX = SAE - #12	
"A" = ALUM. HOUSING	
"S" = STEEL HOUSING	



**SOLENOID VALVE 4-WAY, 2-POSITION,  
DIRECT ACTING, SPOOL TYPE (4/2)****DESCRIPTION**

This unit is a FOUR-WAY, TWO POSITION, cartridge type, spool type, direct acting, screw in type, solenoid operated, directional control valve.

**OPERATIONS**

When solenoid coil is de-energized, this valve allows flow between ports 1 and 2 and ports 3 and 4.

When solenoid coil is energized, the spool in this valve is shifted and allows flow between ports 1 and 4 and no flow between ports 2 and 3.

Manual Operator Standard: Push in and hold a small plunger on top of the valve with a screw driver or a similar plunger smaller than .188" dia.

**FEATURES AND BENEFITS**

Continuous-duty, very low heat rise & waterproof solenoid coil.

Interchangeable solenoid coils & terminations options available.

Hardened precision fitted spool & sleeve provides reliable, long life.

Very efficient, wet-armature solenoid core tube construction.

All external carbon steel parts are plated for longer life against the elements.

All cartridge valves are 100% functionally tested.

**SOLENOID VALVE 4-WAY, 2-POSITION,  
DIRECT ACTING, SPOOL TYPE (4/2)****SPECIFICATIONS**

OPERATING PRESSURE: 5,000 PSI [350 Bar]

PROOF PRESSURE: 10,000 PSI [700 Bar]

FLOW: 16.0 GPM [60 l/m] See performance chart.

INTERNAL LEAKAGE: 5cu.in/min [82 cc/m] @ 5,000 PSI [350 Bar]

VALVE HOUSINGS: 2500 PSI [175 Bar] = Aluminum – Anodized.

5000 PSI [350 Bar] = Steel – Unplated.

OIL TEMPERATURE: -40° to +175° F. [-40° to +80° C.]

AMBIENT TEMPERATURE: -40° to +122° F. [-40° to +50° C.]

Please consult factory for continuously energized or  
high ambient temperature application (>122° F [50°C])

OPERATING MEDIA: All general purpose hydraulic fluids such as  
MIL-H-5606, SAE-#10, SAE-#20, etc.

RESPONSE TIME: First indication of change in pressure with 100%  
voltage supplied @ 80% of nominal flow rating.

\* Pull-in: 50 ms

\* Drop-Out: 50 ms

SEAL KIT: SKN-1242 Buna "N"

SKV-1242 Viton

INSTALLATION: No restrictions.

WEIGHT: 2.13 lb [.97 kg] cartridge with coil only.

VALVE CAVITY: #C1240, See Page 0-043.0.