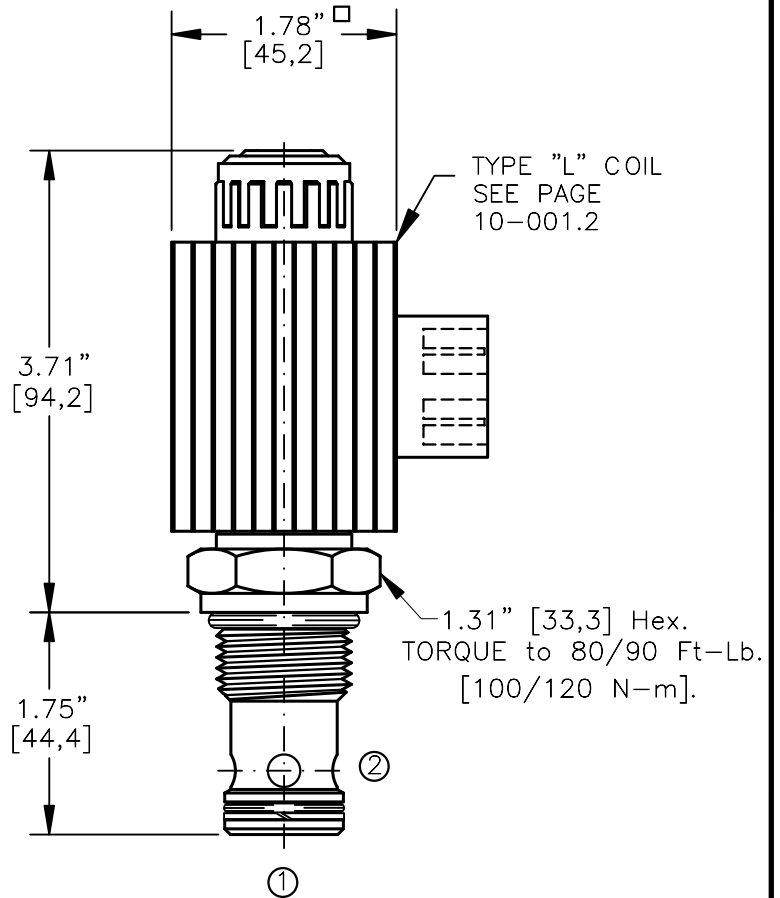
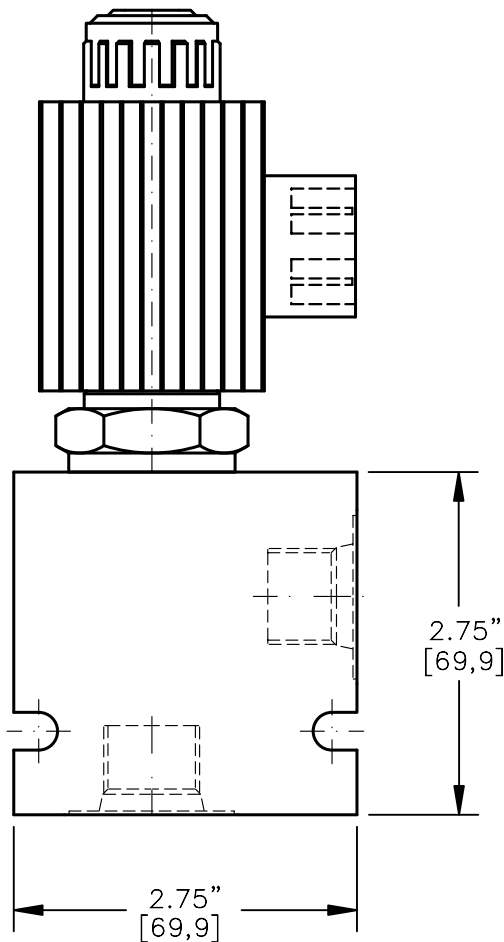
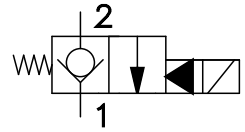


SOLENOID VALVE, NORMALLY CLOSED.  
PILOT OPERATED, POPPET TYPE (2/2)



TYPE "L" COIL  
SEE PAGE  
10-001.2

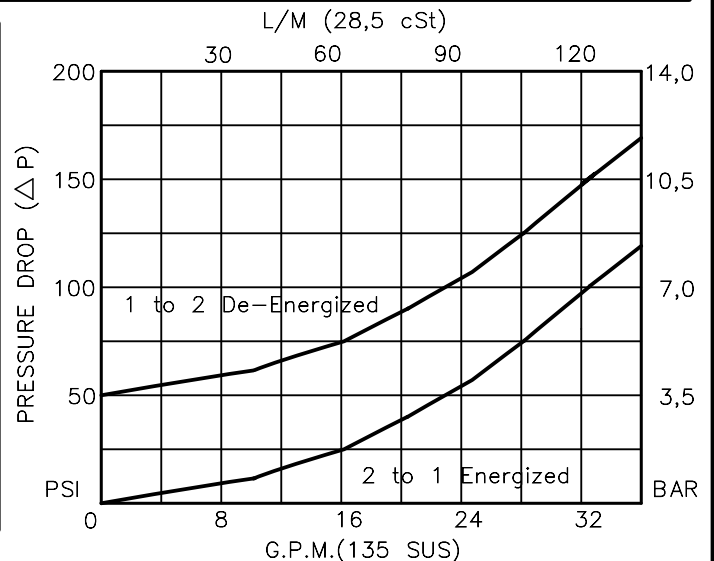
1.31" [33,3] Hex.  
TORQUE to 80/90 Ft-Lb.  
[100/120 N-m].

NOTES:

1. FOR ALUMINUM OR STEEL VALVE HOUSING CONFIGURATIONS SEE PAGE 0-013.1
2. SOLENOIDS AVAILABLE WITH DIODES - CONSULT FACTORY.
3. ALL A.C. COILS ARE INTERNALLY A.C. TO D.C. RECTIFIED.

**EMDV-12-X-C2-X-XXX X**

BASIC	TERMINALS
SIZE	L = 18GA. 24" LEADS
12 = 1.062"-12UNF	T = SPADE TERM.
SEALS	B = BOLT TERM.
N = BUNA "N"	G = DIN43650
V = VITON	W = WEATHER-PACK
TYPE	D = DEUTSCH-DT04-2P
C2=NORMALLY CLOSED POPPET	M = METRI-PACK CONN.
2-WAY, 2-POSITION	VOLTAGE AMPS
PORTS	12D = 12 VDC 3.00
0 = CARTRIDGE ONLY	24D = 24 VDC 1.50
04BX = G 1/2" BSPP	36D = 36 VDC 1.00
06BX = G 3/4" BSPP	48D = 48 VDC 0.75
10TX = SAE - #10	110D = 110 VDC 0.33
12TX = SAE - #12	115A = 115 VAC 0.32
"A" = ALUM. HOUSING	230A = 230 VAC 0.16
"S" = STEEL HOUSING	



**SOLENOID VALVE, NORMALLY CLOSED,  
PILOT OPERATED, POPPET TYPE (2/2)****DESCRIPTION**

This unit is a NORMALLY CLOSED, TWO POSITION, cartridge type, poppet type, pilot operated, screw in type, solenoid operated, directional control valve.

**OPERATIONS**

When solenoid coil is de-energized, this valve allows no flow from ports 2 to 1 and free flow from ports 1 to 2. When solenoid coil is energized, the poppet in this valve is shifted and allows flow from ports 2 to 1 and restricted flow from ports 1 to 2.

**FEATURES AND BENEFITS**

Continuous-duty, very low heat rise & waterproof solenoid coil.  
Interchangeable solenoid coils & terminations options available.  
Hardened precision fitted poppet & sleeve provides reliable, long life.  
Very efficient, wet-armature solenoid core tube construction.  
All external carbon steel parts are plated for longer life against the elements.  
All cartridge valves are 100% functionally tested.

SOLENOID VALVE, NORMALLY CLOSED,  
PILOT OPERATED, POPPET TYPE (2/2)

## SPECIFICATIONS

OPERATING PRESSURE: 5,000 PSI [350 Bar]  
 PROOF PRESSURE: 10,000 PSI [700 Bar]  
 FLOW: 36.0 GPM [136 l/m] See performance chart.  
 INTERNAL LEAKAGE: 5 drops/min [0.25 cc/m] @ 5,000 PSI (350 Bar)  
 VALVE HOUSINGS: 2500 PSI [175 Bar] = Aluminum – Anodized.  
                           5000 PSI [350 Bar] = Steel – Unplated.  
 OIL TEMPERATURE: -40° to +175° F. [-40° to +80° C.]  
 AMBIENT TEMPERATURE: -40° to +122° F. [-40° to +50° C.]  
                           Please consult factory for continuously energized or  
                           high ambient temperature application (>122° F [50°C])  
 OPERATING MEDIA: All general purpose hydraulic fluids such as  
                           MIL-H-5606, SAE-#10, SAE-#20, etc.  
 RESPONSE TIME: First indication of change in pressure with 100%  
                           voltage supplied @ 80% of nominal flow rating.  
                           \* Pull-in: 50 ms  
                           \* Drop-Out: 50 ms  
 SEAL KIT: SKN-1221 Buna "N"  
                           SKV-1221 Viton  
 INSTALLATION: No restrictions.  
 WEIGHT: 1.98 lb [0,90 kg] cartridge with coil only.  
 VALVE CAVITY: #C1220, See Page 0-013.0.

info.el@bucherhydraulics.com

www.bucherhydraulics.com/commoncavity

© 2015 by Bucher Hydraulics, Inc., 2545 Northwest Parkway, Elgin, Illinois 60124, USA

All rights reserved.

The technical information in this catalog, may contain calculated figures (for reference only) and not actual performance data for this product. Data is provided for the purpose of product description only, and must not be construed as warranted characteristics in the legal sense. The information does not relieve users from the duty of conducting their own evaluations and tests. Because the products are subject to continual improvement, we reserve the right to amend the product specifications contained in this catalogue.