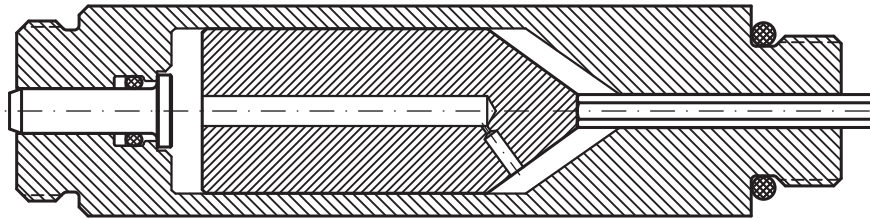


SOLENOID VERSION FOR SOFT SHIFT VALVE FOR 10, 12 AND 16 SIZE VALVES

MANY PUSH TYPE SOLENIOD VALVES ARE AVAILABLE WITH A SOFT SHIFT OPTION. CONSULT FACTORY FOR DETAILS.

THE SOFT SHIFT IS ACCOMPLISHED BY REPLACING THE STANDARD SOLENIOD CORE TUBE ASSEMBLY NUMBER 60005 WITH A SOFT SHIFT SOLENIOD CORE TUBE ASSEMBLY NUMBER 60079.

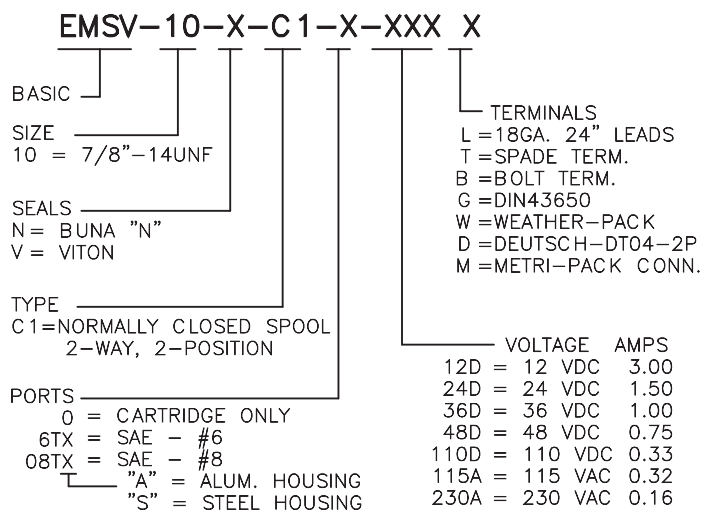


THE SOFT SHIFT CORE TUBE ASSEMBLY IS A HYDRAULICALLY DASH-POTTED ARMATURE. THE HYDRAULIC FLUID IS DISPLACED FROM ONE SIDE OF THE ARMATURE TO THE OTHER SIDE OF THE ARMATURE THRU A SMALL ORIFICE (DASH-POT). THEREFORE SLOWING THE SHIFT TIME OF THE VALVE TO APPROXIMATELY 300 MILLISECONDS AT FULL STROKE USING 135 SUS HYDRAULIC FLUID.

HOW TO ORDER

CHECK AVAILABILITY OF THE REQUESTED MODEL WITH BHEL
IN THE MODEL NUMBER REPLACE "EMDV" WITH "EMSV"

EXAMPLE



ALL L TYPE A.C. COILS ARE INTERNALLY A.C TO D.C. RECTIFIED.
ALL S TYPE A.C. COILS USE A RECTIFIED DIN CONNECTOR