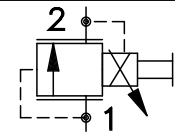


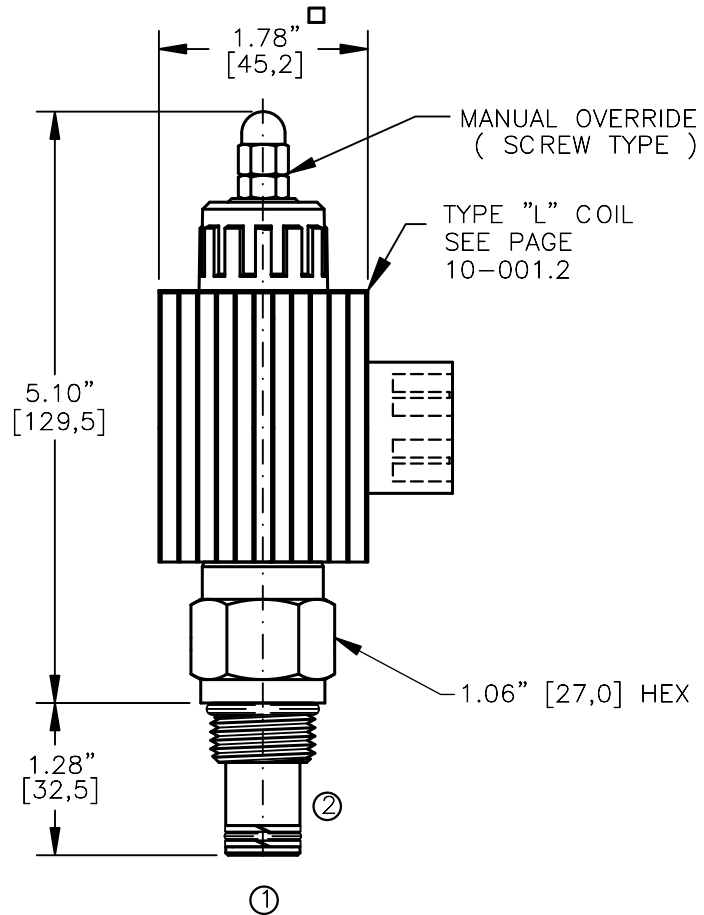
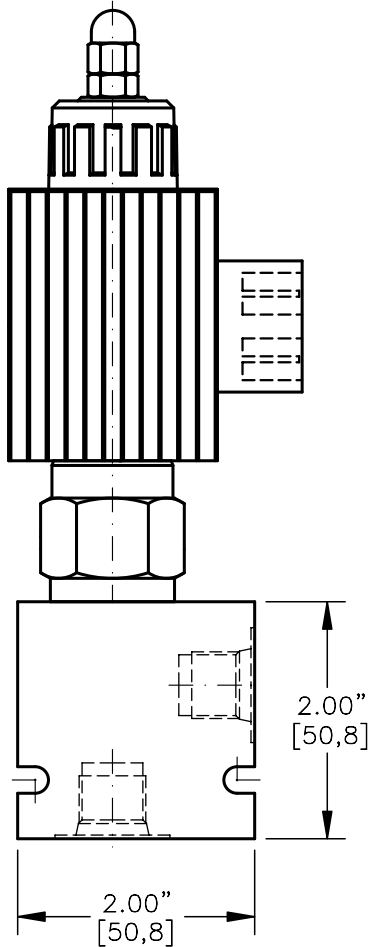
PROPORTIONAL PRESSURE RELIEF VALVE.  
DIRECT ACTING, LOW FLOW, POPPET TYPE.



Pat.#5,546,980

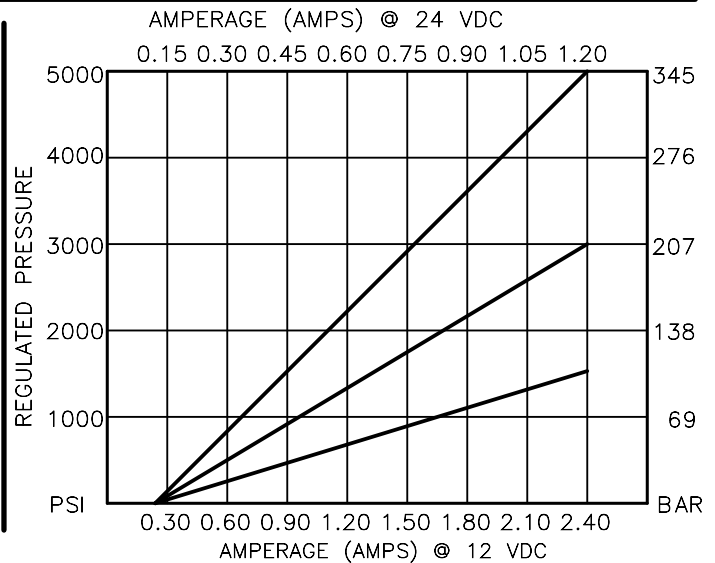
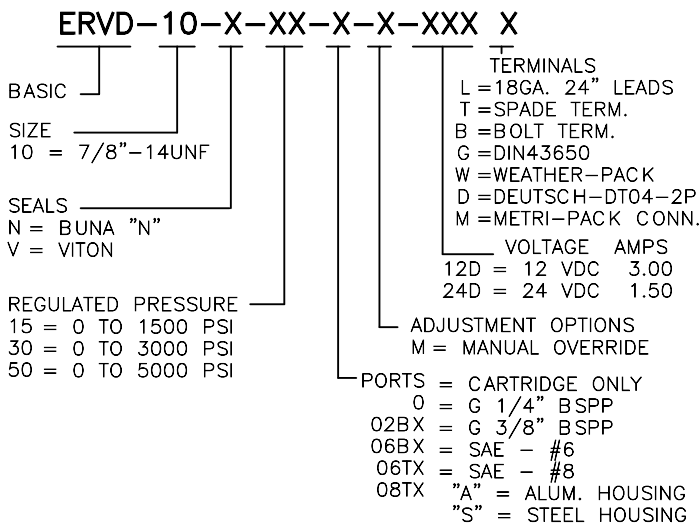
TORQUE:

Steel = 55/60 Ft-Lb. [74/81 Nm]  
Aluminum = 35/40 Ft-Lb. [47/54 Nm]



NOTES:

- FOR ALUMINUM OR STEEL VALVE HOUSING CONFIGURATIONS SEE PAGE 0-012.1
- SOLENOIDS AVAILABLE WITH DIODES - CONSULT FACTORY.



## ELECTRO-HYDRAULIC, PROPORTIONAL, PRESSURE RELIEF VALVE.

### DESCRIPTION

This unit is a electro-hydraulic, proportional, screw in cartridge style, direct acting, low flow, poppet type, high pressure relief valve.

### OPERATIONS

When the coil is de-energized, this valve allows flow and pressure from port 1 to port 2 (tank).

When the coil is energized the armature moves a precision bias spring against the metering poppet thus varying the pressure at port 1 proportional to the current input. When the current is increased to the coil the pressure will increase and when decreased it will decrease.

IN THE EVENT OF POWER FAILURE THE VALVE WILL REDUCE REGULATED PRESSURE AT PORT 1 TO 0 PSI.

### FEATURES AND BENEFITS

Continuous-duty, very low heat rise & waterproof solenoid coil.

Pressure in tank port (2) will add to the bias spring setting, and is limited to 2000 PSI.

Interchangeable solenoid coils & terminations options available.

Hardened precision poppet & pilot seat provides reliable, long life.

A unique self aligning (floating) cage provides very low hysteresis and reliable operation.

Very efficient wet - armature solenoid core tube construction.

All external carbon steel parts are plated for longer life against the elements.

All cartridge valves are 100% functionally tested.

Industry common cavity.

**ELECTRO-HYDRAULIC, PROPORTIONAL,  
PRESSURE RELIEF VALVE.****SPECIFICATIONS**

OPERATING PRESSURE: 5000 PSI [350 Bar]

PROOF PRESSURE: 10,000 PSI [700 Bar]

REGULATED PRESSURE: 0 to 5000 PSI [0 to 350] See performance chart.

FLOW: 1.0 GPM [3.8 L/M] nominal.

VALVE HOUSINGS: 2500 PSI [175 Bar] = Aluminum – Anodized.

5000 PSI [350 Bar] = Steel – Unplated.

OPERATING TEMPERATURE: -40° to +250° F. [-40° to +120° C.]

OPERATING MEDIA: All general purpose hydraulic fluids such as  
MIL-H-5606, SAE-#10, SAE-#20, etc.

RESPONSE: The most efficient method to control this valve is with  
24 VDC, Operating current 0.1 to 1.2 AMPS.

POWER REQUIREMENTS: 12 VDC, Operating current 0.2 to 2.4 AMPS.  
current control and a 50 Hz dither.

SEAL KIT: SKN-1022 Buna "N"

SKV-1022 Viton

INSTALLATION: No restrictions.

WEIGHT: 1.95 lb [.88 kg] cartridge with coil only.

VALVE CAVITY: #C1020, See Page 0-012.0.

[info.el@bucherhydraulics.com](mailto:info.el@bucherhydraulics.com)

[www.bucherhydraulics.com/commoncavity](http://www.bucherhydraulics.com/commoncavity)

© 2015 by Bucher Hydraulics, Inc., 2545 Northwest Parkway, Elgin, Illinois 60124, USA

All rights reserved.

The technical information in this catalog, may contain calculated figures (for reference only) and not actual performance data for this product.

Data is provided for the purpose of product description only, and must not be construed as warranted characteristics in the legal sense.

The information does not relieve users from the duty of conducting their own evaluations and tests. Because the products are subject to continual improvement, we reserve the right to amend the product specifications contained in this catalogue.