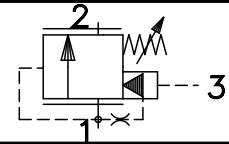
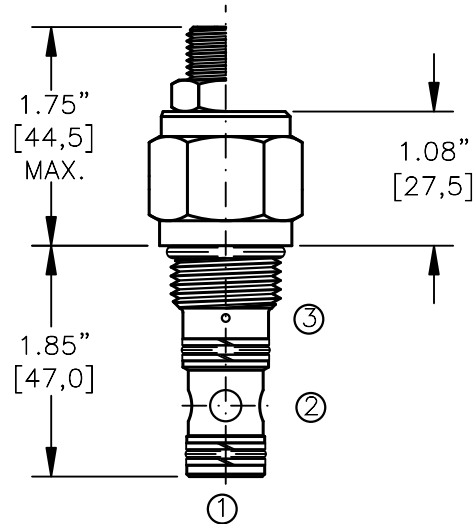
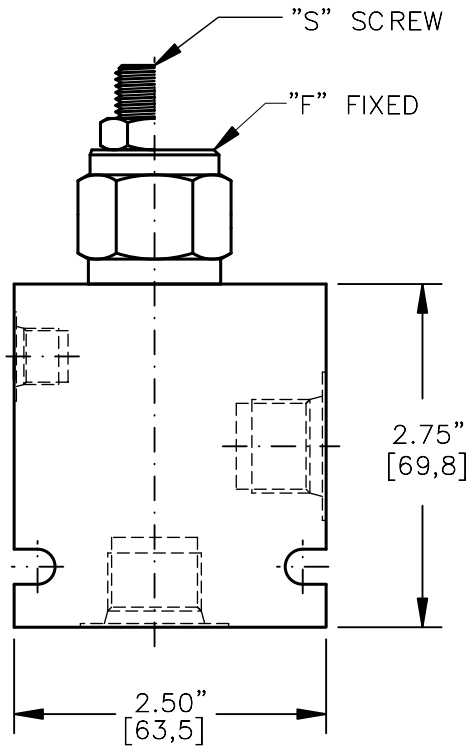
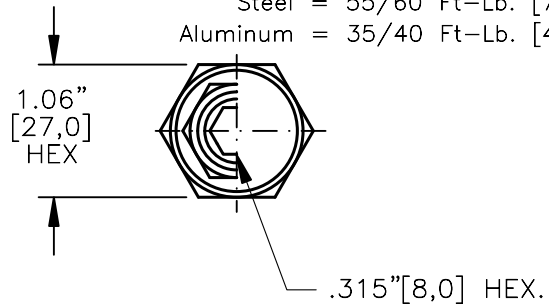


LOGIC CONTROL ELEMENT  
SPOOL TYPE, VENT TO OPEN, SPOOL "C".



TORQUE:

Steel = 55/60 Ft-Lb. [74/81 Nm]  
Aluminum = 35/40 Ft-Lb. [47/54 Nm]

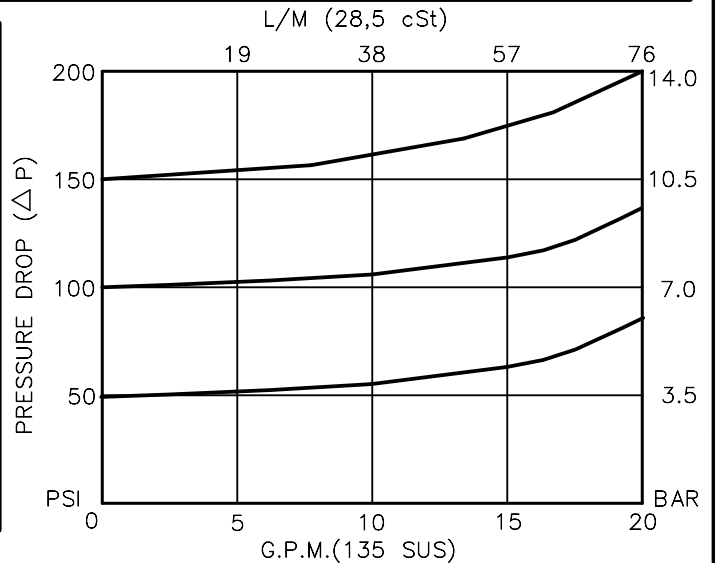


FOR ALUMINUM OR STEEL VALVE HOUSING CONFIGURATIONS SEE PAGE 0-022.1

**LCEF-10-X-C-X-X-XXX**

BASIC  
SIZE  
10 = 7/8"-14 UNF  
SEALS  
N = BUNA "N"  
V = VITON  
SPOOL  
"C"=SPOOL (VENT TO OPEN)  
ADJUSTMENT  
F = FIXED (FACTORY SET)  
S = ADJUSTING SCREW  
C = CAPPED  
T = TAMPERPROOF  
K = HANDKNOB  
M = METAL HANDKNOB  
FOR ADJUSTMENT CONTROL  
OPTIONS SEE PAGE 0-050.0

PRESSURE BIAS SPRING  
070 = 70 PSI (FIXED)  
100 = 100 PSI (FIXED)  
160 = 40-160 PSI (ADJ)  
PORTS  
0 = CARTRIDGE ONLY  
03BX = G 3/8" BSPP  
04BX = G 1/2" BSPP  
08TX = SAE - #8  
10TX = SAE - #10  
"A" - ALUM. HOUSING  
"S" - STEEL HOUSING



## LOGIC CONTROL ELEMENT

### SPOOL TYPE, VENT TO OPEN, SPOOL "C".

#### DESCRIPTION

This unit is a DIRECT ACTING, SCREW IN CARTRIDGE STYLE, SPOOL TYPE, HYDRAULIC DIRECTIONAL LOGIC ELEMENT, with multi-functional potential when used with other directional, pressure or flow control devices.

#### OPERATIONS

This valve blocks flow from port 1 to port 2 with a spring bias. It will shift to allow full flow from port 1 to port 2 only when there is no pressure in port 3. Valve will close when port 3 is blocked and will maintain the same pressure plus the bias spring force value. When no pressure is present at port 3, it will allow flow from port 1 to port 2 once the bias spring force is overcome by the pressure in port 1. This is vent to open directional logic element.

#### FEATURES AND BENEFITS

Leakproof screw adjustment.

This valve has a fixed or an adjustable bias spring.

Adjustment screw can not be backed out of the valve.

Overset protection – spring can not go solid.

Hardened precision fitted spool & cage provides reliable, long life.

A unibody cage construction provides very low hysteresis and reliable operation.

All external carbon steel parts are plated for longer life against the elements.

Valve is available with fixed, screw, tamperproof, capped and handknob adjustments.

All cartridge valves are 100% functionally tested.

Industry common cavity.

LOGIC CONTROL ELEMENT  
SPOOL TYPE, VENT TO OPEN, SPOOL "C".

### SPECIFICATIONS

OPERATING PRESSURE: 5,000 PSI [350 Bar]

PROOF PRESSURE: 10,000 PSI [700 Bar]

FLOW: 20.0 GPM [76 L/M] nominal. See performance chart.

INTERNAL LEAKAGE: 5 cu.in./min. [85 cc/m] @ 85% of crack pressure.

DEFINITION OF CRACK: evident at 0.06 GPM [0.25 LPM]

VALVE HOUSINGS: 2500 PSI [175 Bar] = Aluminum - Anodized.

5000 PSI [350 Bar] = Steel - Unplated.

OPERATING TEMPERATURE: -40° to +250° F. [-40° to +120° C.]

OPERATING MEDIA: All general purpose hydraulic fluids such as

MIL-H-5606, SAE-#10, SAE-#20, etc.

INSTALLATION: No restriction.

FILTRATION: 25 microns or better.

SEAL KIT NUMBER: SKN-1027 for buna "N".

SKV-1027 for viton.

WEIGHT: 0.46 lb [.21 kg] cartridge only.

VALVE CAVITY: #C1025, See Page 0-022.0.

[info.el@bucherhydraulics.com](mailto:info.el@bucherhydraulics.com)

[www.bucherhydraulics.com/commoncavity](http://www.bucherhydraulics.com/commoncavity)

© 2015 by Bucher Hydraulics, Inc., 2545 Northwest Parkway, Elgin, Illinois 60124, USA

All rights reserved.

Data is provided for the purpose of product description only, and must not be construed as warranted characteristics in the legal sense. The information does not relieve users from the duty of conducting their own evaluations and tests. Because the products are subject to continual improvement, we reserve the right to amend the product specifications contained in this catalogue.