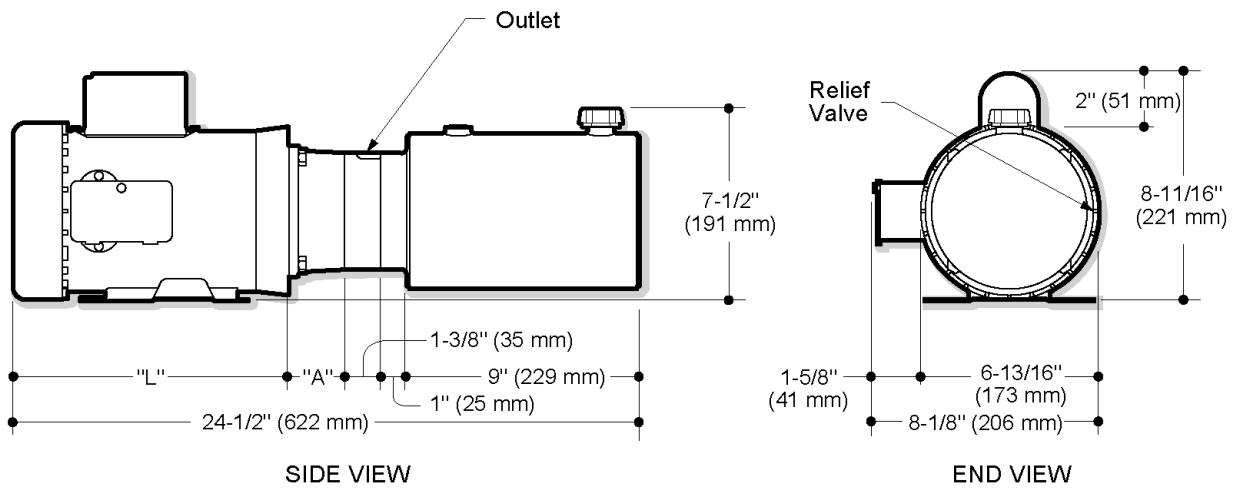
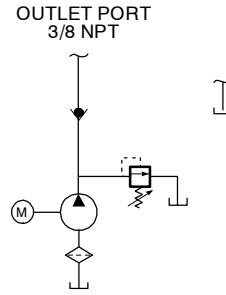


3.4 Model M-4304 (Formerly M-404)

Description

- Pump / Motor / Reservoir / Unit
- Check Valve
- Externally Adjustable Relief Valve
- .375 Inch NPT Outlet and Return
- Horizontal Mounting Standard
- Vertical Mounting / Motor Up

Schematic



"L" dimension shown for 08751 motor is 10-11/16" (271 mm)
 "A" dimension for standard 01605 adapter is 2-5/32" (55 mm)
 "A" dimension for optional 01615 adapter is 3-11/32" (85 mm)
 Dimensions will vary according to motor output and manufacturer

How to Order Your M-4304 Power System

Comprehensive information may be found on the page referenced below each selection category.

| Pump | Motor | Adapter | Reservoir (Length) | Mounting Position | Accessories |
|-------------|--------------|--------------|--------------------|-------------------|--------------|
| Ref. Page 9 | Ref. Page 10 | Ref. Page 11 | Ref. Page 13 | | Ref. Page 20 |