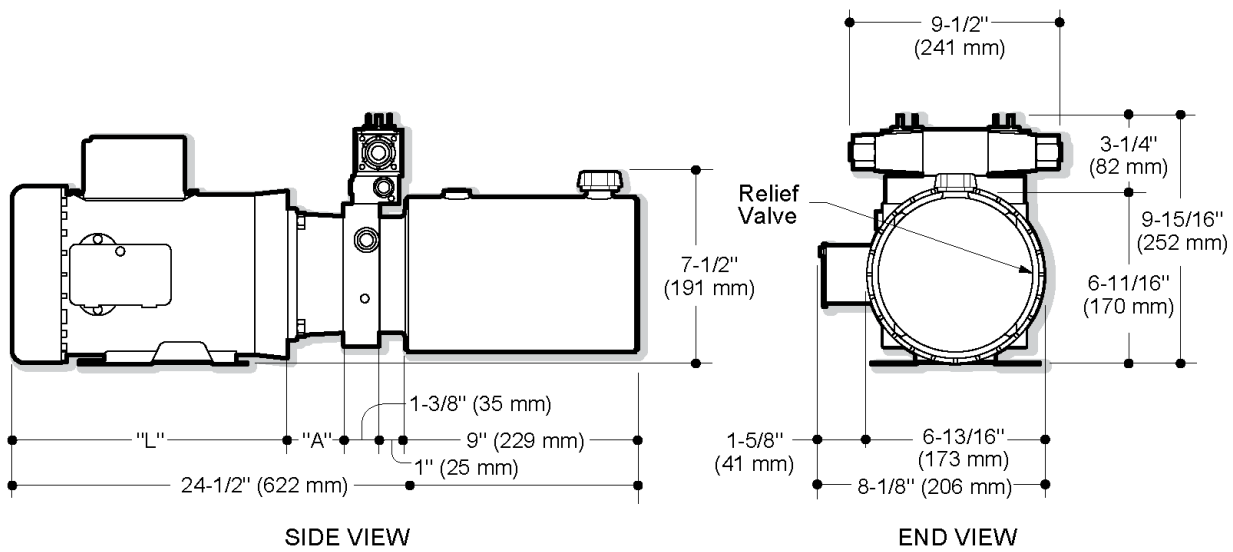
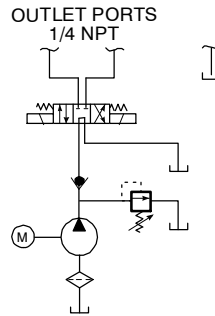


3.20 Model M-4505 (Replaces M-405)

Description

- Pump / Motor / Reservoir / Unit
- Externally Adjustable Relief Valve
- 4-Way/3-Position Solenoid Operated DO3 Valve. Standard Tandem Center Shown. Other Spool Types Available.
- .250 Inch NPT Outlets
- Horizontal Mounting Standard
- Vertical Mounting (Motor Up) Optional

Schematic



"L" dimension shown for 08751 motor is 10-11/16" (271 mm)
 "A" dimension for standard 01605 adapter is 2-5/32" (55 mm)
 "A" dimension for optional 01615 adapter is 3-11/32" (85 mm)
 Dimensions will vary according to motor output and manufacturer

How to Order Your M-4505 Power System

Comprehensive information may be found on the page referenced below each selection category.

Pump	Motor	Adapter	Reservoir (Length)	Mounting Position	Valves	Accessories
Ref. Page 9	Ref. Page 10	Ref. Page 11	Ref. Page 13		Ref. Page 18	Ref. Page 20