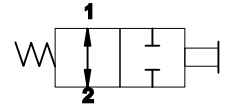


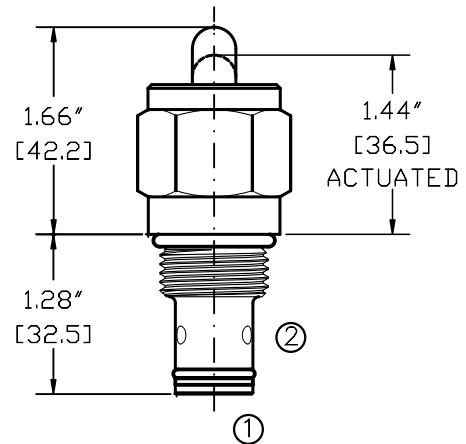
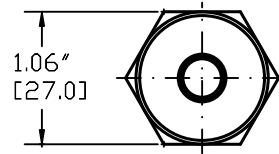
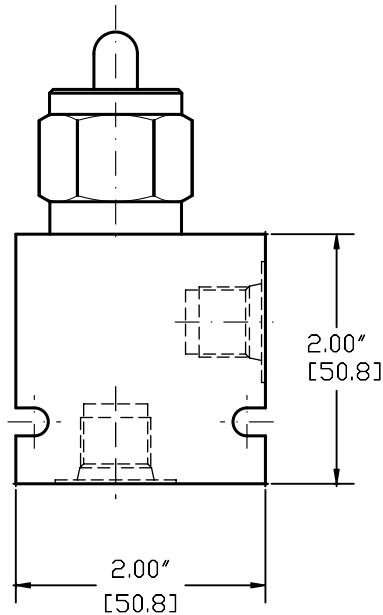
MANUAL VALVE
PUSH TO CLOSE



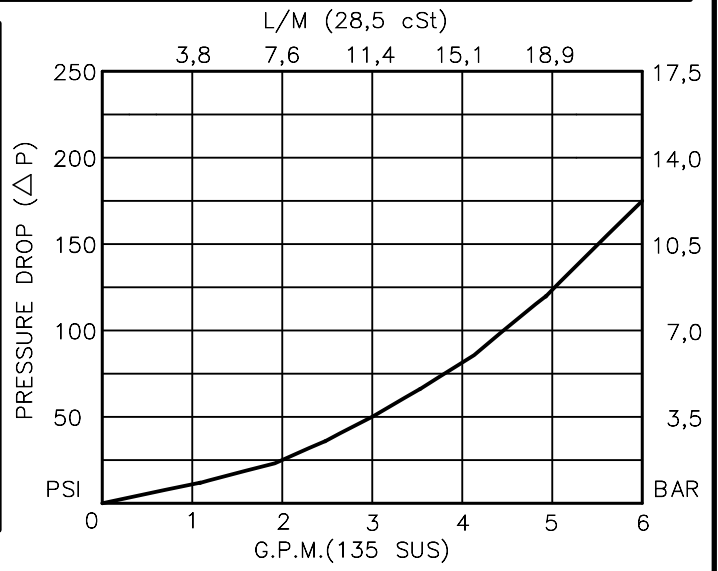
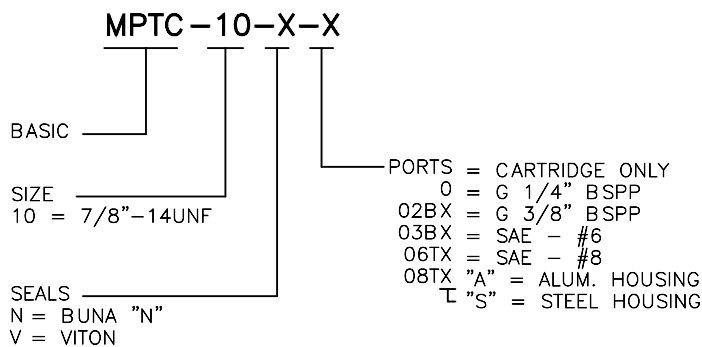
TORQUE:

Steel = 55/60 Ft-Lb. [74/81 Nm]

Aluminum = 35/40 Ft-Lb. [47/54 Nm]



FOR ALUMINUM OR STEEL VALVE HOUSING CONFIGURATIONS SEE PAGE 0-012.1



**MANUAL VALVE
PUSH TO CLOSE****DESCRIPTION**

This unit is a SCREW IN, cartridge type, guided spool, spring biased open, push to close, hydraulic manual valve.

OPERATIONS

This valve allows flow between ports 1 and 2.
When valve is actuated, the spool in this valve is shifted and allows no flow between ports 1 and 2.

FEATURES AND BENEFITS

Low effort leakproof valve stem.
Push to close mechanical effort at no pressure is 17.5 lbs (8.0kg).
Each 1000 psi at port 1 adds 96 lbs of mechanical effort.
Pressure at port 2 does not add to mechanical effort.
All external carbon steel parts are plated for longer life against the elements.
All cartridge valves are 100% functionally tested.
Industry common cavity.

SPECIFICATIONS

OPERATING PRESSURE:	5,000 PSI [350 BAR]
PROOF PRESSURE:	10,000 psi [700 bar]
FLOW:	6.0 gpm [22.7 l/m] nominal. See performance chart.
INTERNAL LEAKAGE:	5 cu.in/min [82 cc/min] @ 5,000 psi (350 bar)
VALVE HOUSINGS:	2500 psi [175 bar] = Aluminum - Anodized. 5000 psi [350 bar] = Steel - Unplated.
OPERATING TEMPERATURE:	-40° to +250° F. [-40° to +120° C.]
OPERATING MEDIA:	All general purpose hydraulic fluids such as MIL-H-5606, SAE-#10, SAE-#20, etc.
INSTALLATION:	No restrictions.
FILTRATION:	25 microns or better.
SEAL KIT:	SKN-1021 Buna "N". SKV-1021 Viton.
WEIGHT:	0.31 lb [.14 kg] cartridge only.
VALVE CAVITY:	#C1020, See Page 0-012.0.

info.el@bucherhydraulics.com

www.bucherhydraulics.com/commoncavity

© 2026 by Bucher Hydraulics, Inc., 2545 Northwest Parkway, Elgin, Illinois 60124, USA

All rights reserved.

Data is provided for the purpose of product description only, and must not be construed as warranted characteristics in the legal sense. The information does not relieve users from the duty of conducting their own evaluations and tests. Because the products are subject to continual improvement, we reserve the right to amend the product specifications contained in this catalogue.