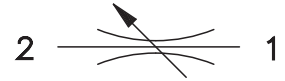
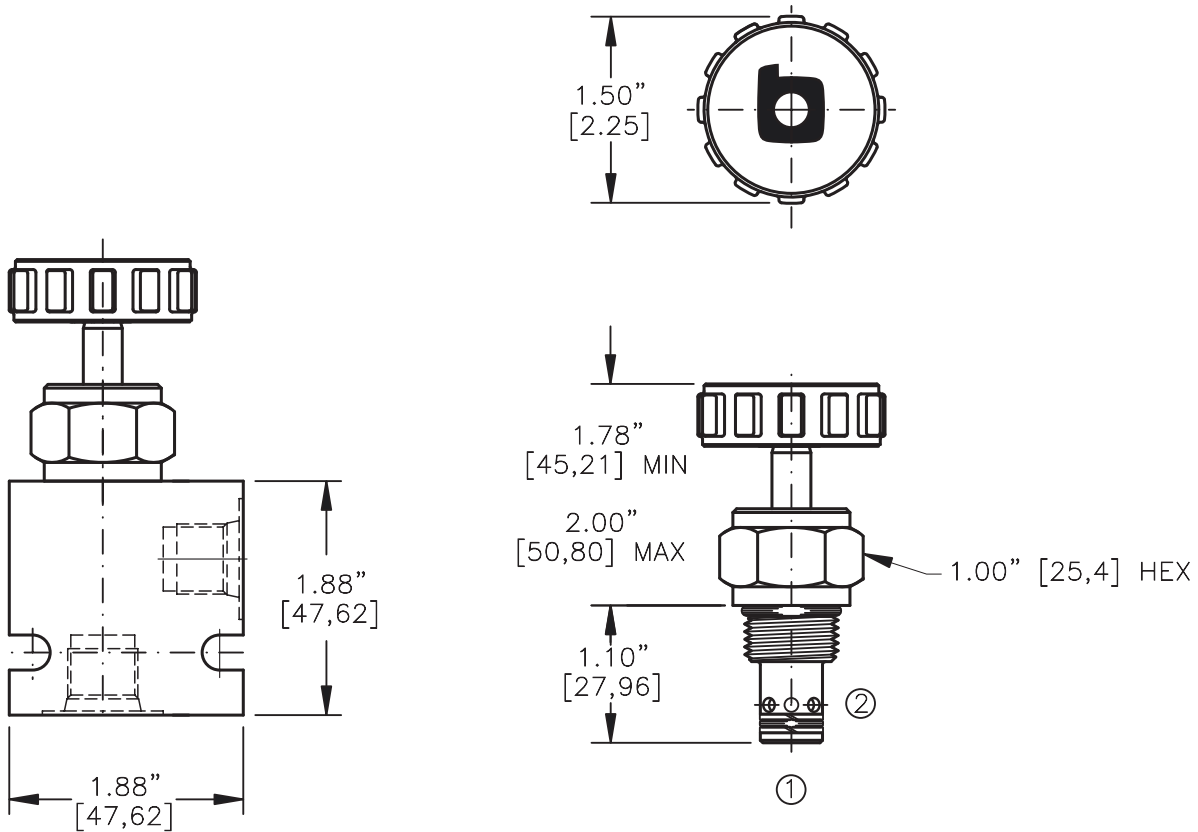


NEEDLE VALVE BI-DIRECTIONAL,  
POSITIVE SHUT-OFF



TORQUE:

Steel = 35/40 Ft-Lb. [47/54 Nm]  
Aluminum = 25/30 Ft-Lb. [34/41 Nm]



FOR ALUMINUM OR STEEL VALVE HOUSING CONFIGURATIONS SEE PAGE 0-011.1

**NFCV-08-X-X-X**

BASIC

SIZE

08 = 3/4"-16 UNF

SEALS

N = BUNA "N"  
V = VITON

ADJUSTMENT

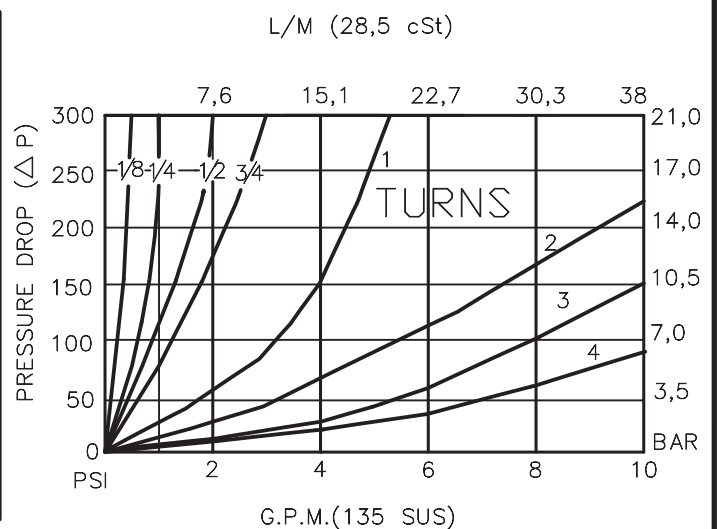
K = HANDKNOB  
H = METAL HANDKNOB  
O = NO KNOB

FOR ADJUSTMENT CONTROL  
OPTIONS SEE PAGE 0-050.0

PORTS

0 = CARTRIDGE ONLY  
02BX = G 1/4" BSPP  
06TX = SAE - #6

"A" - ALUM. HOUSING  
"S" - STEEL HOUSING



**NEEDLE VALVE BI-DIRECTIONAL,  
POSITIVE SHUT-OFF****DESCRIPTION**

This unit is a SCREW IN, cartridge type, non-compensated, adjustable, bi-directional needle flow control valve.

**OPERATIONS**

This valve increases its orifice value from fully closed to fully open in 4 1/2 turns with counterclockwise rotation. Positive shut-off.

**FEATURES AND BENEFITS**

Fine and low effort leakproof adjustment.  
Effective adjustment is linear to 4 1/2 turns.  
All external carbon steel parts are plated for longer life against the elements.  
All cartridge valves are 100% functionally tested.  
Industry common cavity.

**SPECIFICATIONS**

OPERATING PRESSURE: 5,000 PSI [350 Bar]  
PROOF PRESSURE: 10,000 PSI [700 Bar]  
FLOW: 10.0 GPM [38 l/m] nominal. See performance chart.  
INTERNAL LEAKAGE: ZERO drops per minute maximum @ 5,000 PSI (350 Bar)  
VALVE HOUSINGS: 2500 PSI [175 Bar] = Aluminum - Anodized.  
5000 PSI [350 Bar] = Steel - Unplated.  
OPERATING TEMPERATURE: -40° to +250° F. [-40° to +120° C.]  
OPERATING MEDIA: All general purpose hydraulic fluids such as  
MIL-H-5606, SAE-#10, SAE-#20, etc.  
INSTALLATION: No restrictions.  
SEAL KIT: SKN-0822 Buna "N".  
SKV-0822 Viton.  
WEIGHT: .22 lb [.10 kg] cartridge only.  
VALVE CAVITY: #C0820, See Page 0-011.0.

info.el@bucherhydraulics.com

www.bucherhydraulics.com/commoncavity

© 2015 by Bucher Hydraulics, Inc., 2545 Northwest Parkway, Elgin, Illinois 60124, USA

All rights reserved.

Data is provided for the purpose of product description only, and must not be construed as warranted characteristics in the legal sense. The information does not relieve users from the duty of conducting their own evaluations and tests. Because the products are subject to continual improvement, we reserve the right to amend the product specifications contained in this catalogue.