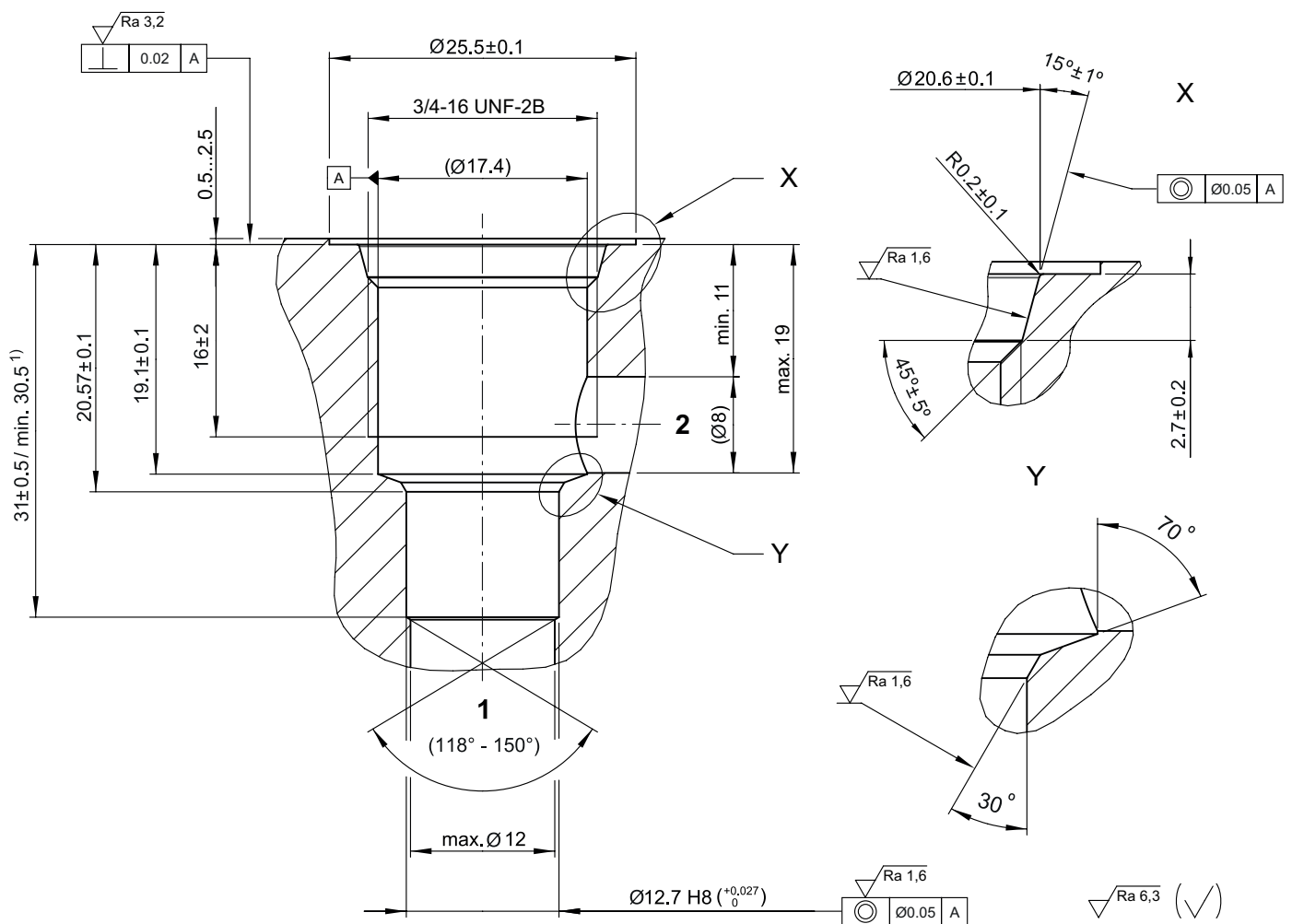


General information

Cavity

Type series: BH/C0820

Dimensions and sectional view



**HINWEIS!
NOTE!**

¹⁾ Passungstiefe
Minimum depth of specified diametral tolerance

**Beispiel für die Masseinheit:
Example for the dimensional units:**
0.79 = 0.79 mm millimeter

Installation information

**ATTENTION!**

You must maintain the specified positional and diametral tolerances. To ensure trouble-free operation of the screw-in cartridges, we strongly recommend that pilot drilling, boring, reaming and cavity thread-cutting are always performed in one setup.

**NOTE!**

The cavity type BH/C0820 complies with the standard according to:
ISO 17209: 3/4-01-0-13 and
NFPA/T3.5.50: 0.750-01-0-09.

**NOTE!**

We offer form toolsets for sale or hire. For further information, see data sheet 400-P-040011.