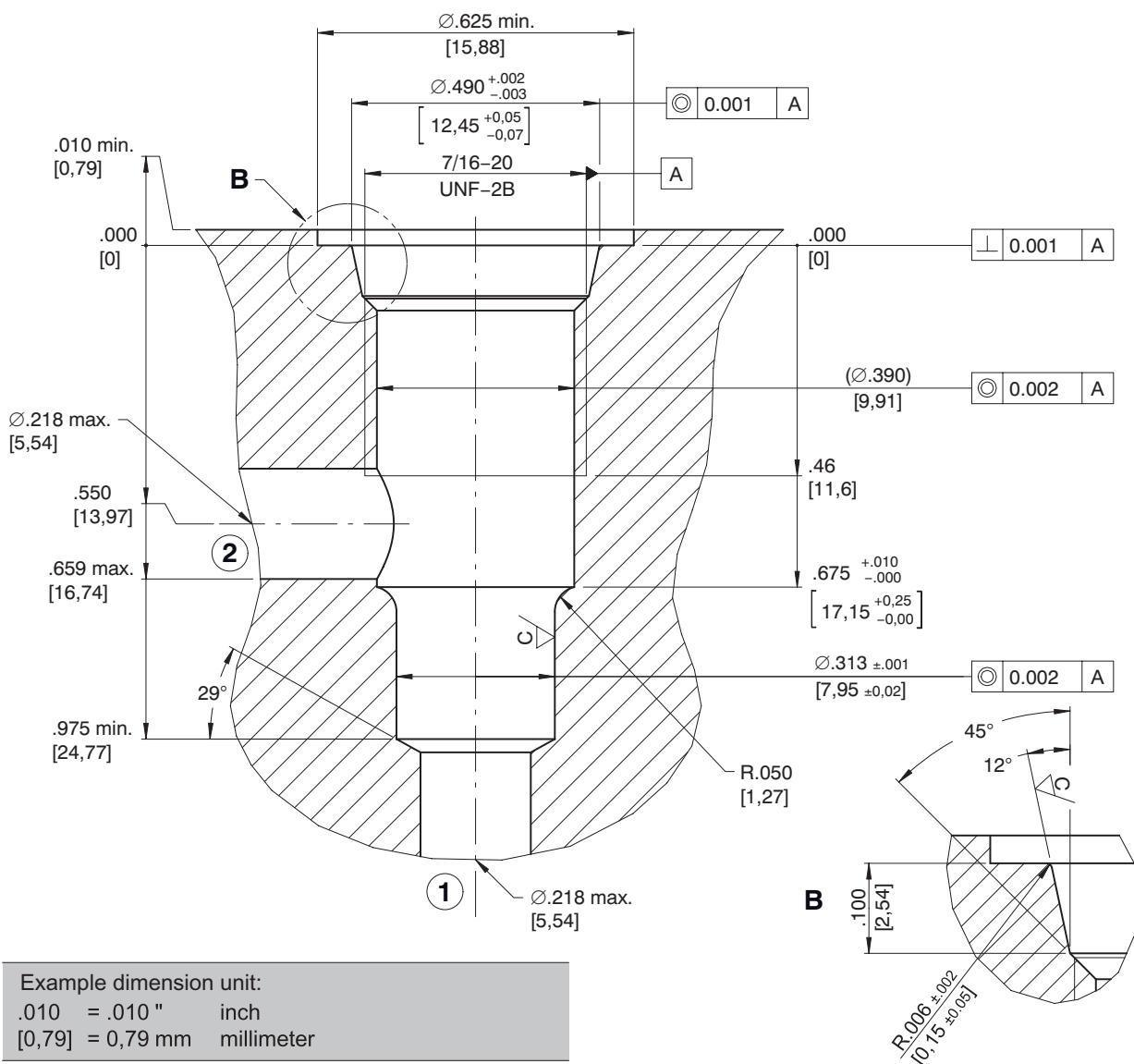


General information

Cavity

Type series: Cavity C0420

Dimensions and sectional view



Dimension Tolerances	
Unless otherwise specified	
0.000	± .005"
0.00	± .010"
Angles	± 1/2°

Surface roughness		
	C/	D/
Ra	45 µin (1.15 µm)	125 µin (3.2 µm)
	D/	Unless otherwise specified

Installation information



ATTENTION!

You must maintain the specified positional and diametral tolerances. To ensure trouble-free operation of the screw-in cartridges, we strongly recommend that pilot drilling, boring, reaming and cavity thread-cutting are always performed in one setup.



NOTE!

We offer form toolsets for sale or hire. For further information, see data sheet 520-P-000050.