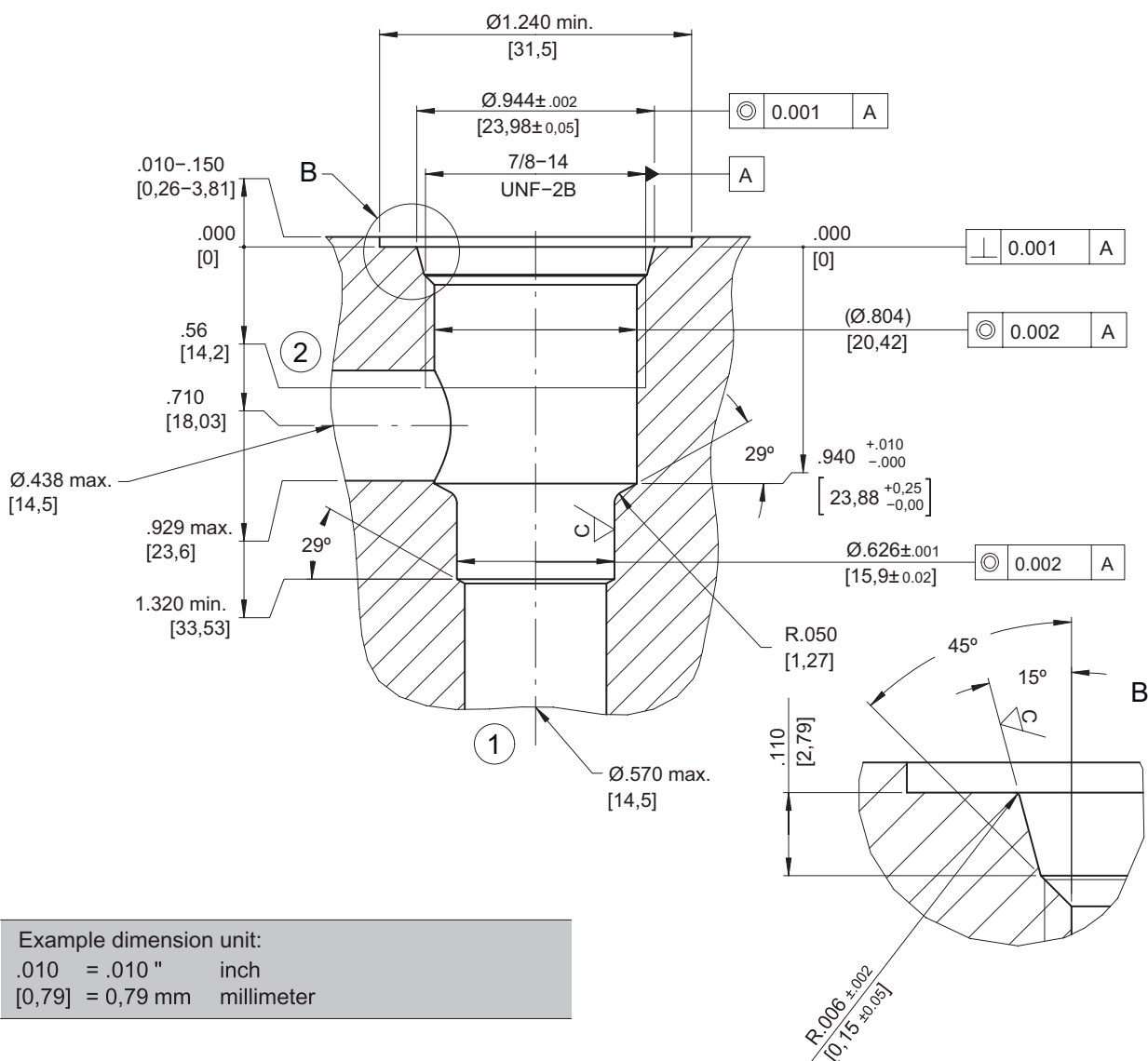


General information

Cavity

Type series: Cavity C1020

Dimensions and sectional view



Example dimension unit:
.010 = .010" inch
[0,79] = 0,79 mm millimeter

Dimension Tolerances	
Unless otherwise specified	
0.000	± .005"
0.00	± .010"
Angles	± 1/2°

Surface roughness	
	C /
	D /
Ra	45 µin (1.15 µm)
	125 µin (3.2 µm)
	D /
	Unless otherwise specified

Installation information

**ATTENTION!**

You must maintain the specified positional and diametral tolerances. To ensure trouble-free operation of the screw-in cartridges, we strongly recommend that pilot drilling, boring, reaming and cavity thread-cutting are always performed in one setup.

**NOTE!**

The cavity type C1020 complies with the standard according to: ISO 17209: 7/8-01-0-13 and NFPA/T3.5.50: 0.875-01-0-09.

**NOTE!**

We offer form toolsets for sale or hire. For further information, see data sheet 520-P-000050.