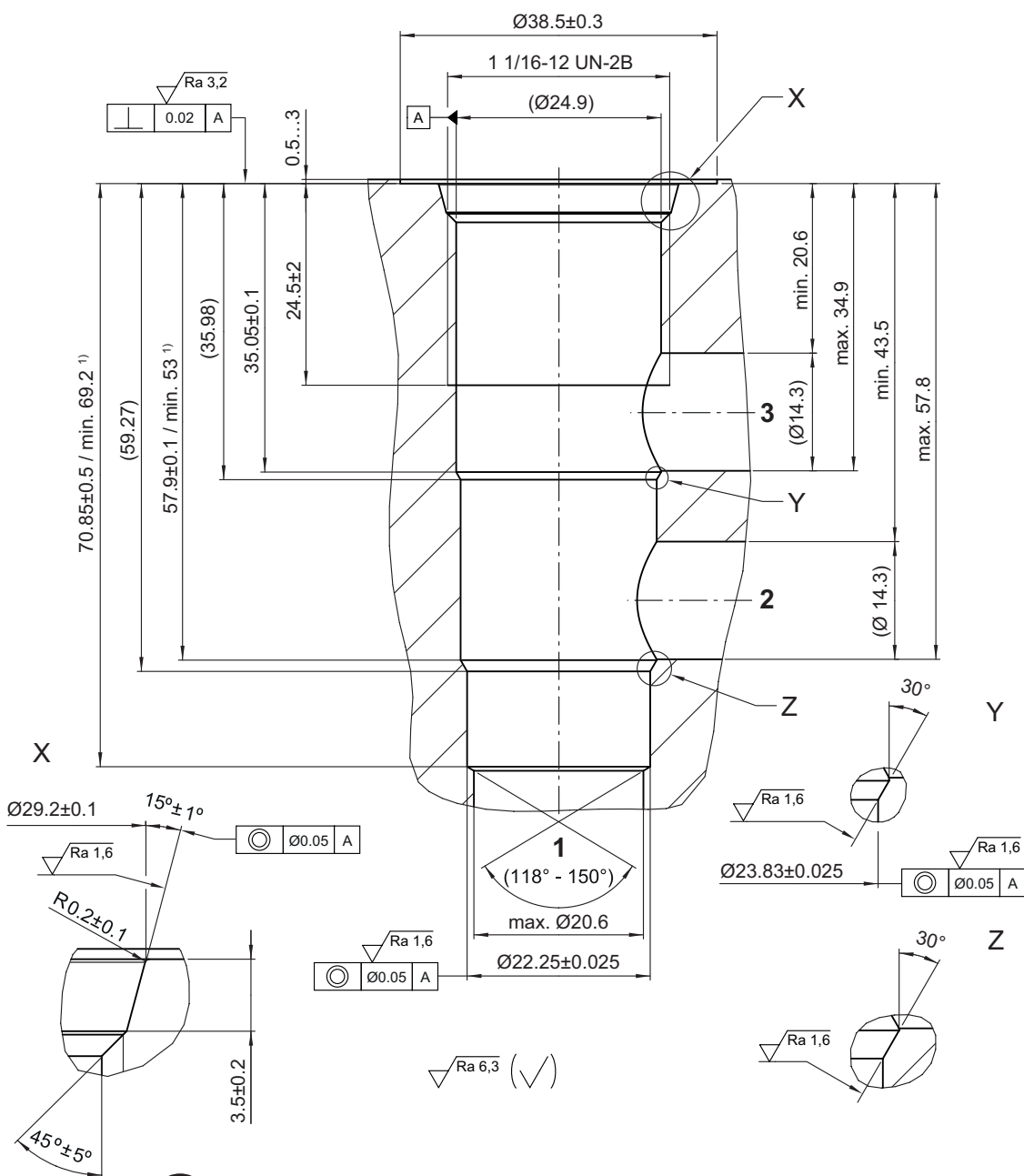


General information

Cavity

Type series: HC/C1230

Dimensions and sectional view



HINWEIS!
NOTE!

¹⁾ Passungstiefe
Minimum depth of specified diametral tolerance

Beispiel für die Masseinheit:
Example for the dimensional units:
0.79 = 0.79 mm millimeter

Installation information



ATTENTION!

You must maintain the specified positional and diametral tolerances. To ensure trouble-free operation of the screw-in cartridges, we strongly recommend that pilot drilling, boring, reaming and cavity thread-cutting are always performed in one setup.



NOTE!

The cavity type HC/C1230 complies with the standard according to: ISO 17209: 1 1/16-03-0-13.



NOTE!

We offer form toolsets for sale or hire. For further information, see data sheet 400-P-040011.