

## Prop. 3-Way Pressure-Reducing Cart., Size 5 / SAE 08

$Q_{\max} = 15 \text{ l/min (3.75 gpm)}$ ,  $p_{\max} = 250 \text{ bar (3600 psi)}$

Direct acting, electrically operated

Series DRDTA-7MQ...



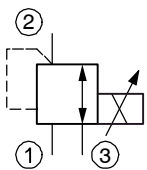
- Compact construction for cavity type AM – 3/4-16 UNF
- Operated by a proportional solenoid
- 1 pressure ranges available
- Excellent stability over the whole pressure and flow range
- All exposed parts with zinc-nickel plating
- High pressure wet-armature solenoids
- The slip-on coil can be rotated, and it can be replaced without opening the hydraulic envelope
- Various plug-connector systems and voltages are available
- Can be fitted in a line-mounting body

### 1 Description

Series DRDTA-7MQ... proportional 3-way pressure-reducing cartridges are size 5 / SAE 08, high performance screw-in cartridges with an 3/4-16 UNF mounting thread. They reduce the outlet pressure in 2 as a function of the control current signal and independently of the inlet pressure in 1. In the initial position (solenoid de-energised) the inlet of the 3-way pressure-reducing cartridge is shut off and the outlet is connected to tank (port 2 → 3). In control mode, the connection 1 → 2 opens until the pressure in port 2 reaches the preset level. If the pressure rises above the preset level, the control spool opens the 2 → 3 connection until balance is attained. One pressure ranges are available, with maximum

operating pressure (inlet pressure)  $p_{\max} 250 \text{ bar}$ . These 3-way pressure-reducing cartridges are predominantly used for reducing a system pressure in mobile and industrial applications. Thanks to the special terminal assignment, a proportional function can be achieved in manifold control blocks featuring WK32 ... valves by using these valves in a way that does not require any redesign of the block. All external parts of the cartridge are zinc-nickel plated according to DIN EN ISO 19 598 and are thus suitable for use in the harshest operating environments. If you intend to manufacture your own cavities or are designing a line-mounting installation, please refer to the section "Related data sheets".

### 2 Symbol



### 3 Technical data

General characteristics	Description, value, unit
Designation	proportional 3-way pressure-reducing cartridge
Design	direct acting, electrically operated
Mounting method	screw-in cartridges 3/4-16 UNF
Tightening torque	40 Nm ± 10 % (30 ft-lbs ± 10 %)
Size	nominal size 5 / SAE 08, cavity type AM
Weight	0.4 kg (0.9 lbs)
Mounting attitude	unrestricted (preferably vertical, coil down)
Ambient temperature range	-25 °C ... +60 °C (-13 °F ... +140 °F)

Reference: 400-P-591061-EN-00

Hydraulic characteristics	Description, value, unit	
Maximum operating pressure	250 bar	(3600 psi)
Maximum flow rate	15 l/min	(3.75 gpm)
Nominal pressure ranges	100 bar <sup>1)</sup>	(1400 psi) <sup>1)</sup>
Flow direction	see symbols	
Hydraulic fluid	HL and HLP mineral oil to DIN 51 524; for other fluids, please contact BUCHER	
Hydraulic fluid temperature range	-25 °C ... +70 °C	(-13 °F ... +158 °F)
Viscosity range	15...380 mm <sup>2</sup> /s (cSt), recommended 20...130 mm <sup>2</sup> /s (cSt)	
Minimum fluid cleanliness Cleanliness class to ISO 4406 : 1999	class 18/16/13	



### IMPORTANT!

<sup>1)</sup> For lower pressure 45 bar, 70 bar (640 psi, 1000 psi) can be used the valve DRDSA-7MQ....

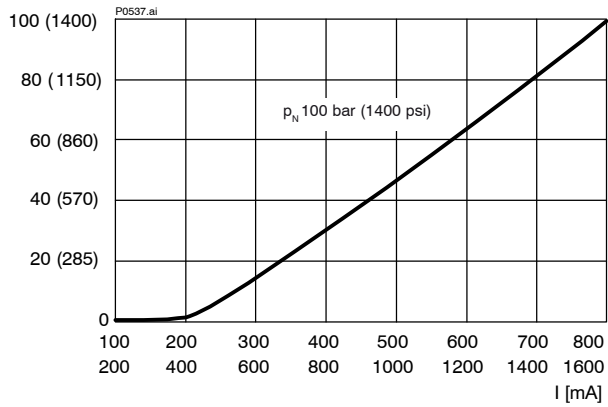
Electrical characteristics	Description, value, unit	
Supply voltage	12 V DC, 24 V DC	
Control current	12 V = 0...1600 mA, 24 V = 0...800 mA	
Power consumption at max. control current	max. 17.5 W	
Coil resistance R	- cold value at 20 °C - max. warm value	12 V = 4.35 Ω / 24 V = 17.2 Ω 12 V = 6.8 Ω / 24 V = 26.9 Ω
Recommended PWM frequency (dither)	200 Hz	
Hysteresis with PWM	3...6 % I <sub>N</sub>	
Reversal error with PWM	3...6 % I <sub>N</sub>	
Sensitivity with PWM	< 2 % I <sub>N</sub>	
Reproducibility with PWM	< 3 % p <sub>N</sub>	
Relative duty cycle	100 %	
Protection class to ISO 20 653 / EN 60 529	IP 65 / IP 67 / IP 69K, see "Ordering code" (with appropriate mating connector and proper fitting and sealing)	
Electrical connection	DIN EN 175301-803, 3-pin 2 P+E (standard) for other connectors, see "Ordering code"	

## 4 Performance graphs

measured with oil viscosity 33 mm<sup>2</sup>/s (cSt)

$p = f(I)$  Pressure adjustment characteristic

$p_2$  [bar (psi)]

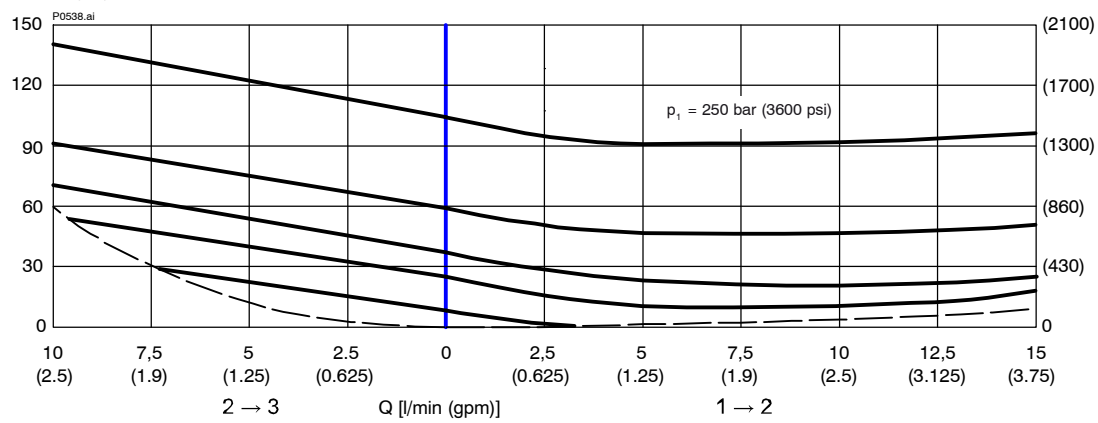


$p = f(Q)$  Pressure - Flow rate characteristic

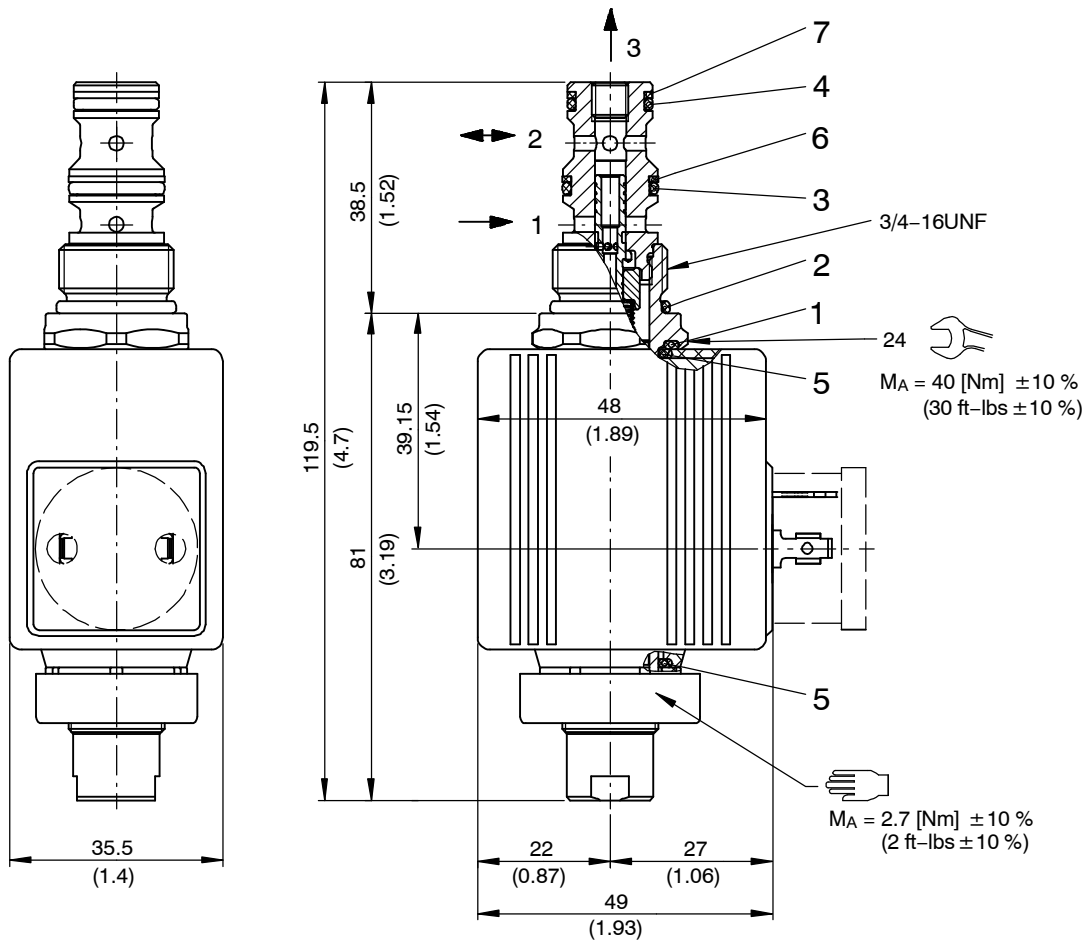
$p_N = 100$  bar (1400 psi)

$\Delta p$  [bar (psi)]

$p_2$  [bar (psi)]



## 5 Dimensions & sectional view



## 6 Installation information



### IMPORTANT!

To achieve the maximum performance rating, fit the solenoid coil as shown (with the plug pins at the bottom) and install the valve in a steel body. When fitting the cartridges, note the mounting attitude (preferably vertical, with coil down → automatic air bleed) and use the specified tightening torque. No adjustments are necessary, since the cartridges are set in the factory.



### ATTENTION!

Only qualified personnel with mechanical skills may carry out any maintenance work. Generally, the only work that should ever be undertaken is to check, and possibly replace, the seals. When changing seals, oil or grease the new seals thoroughly before fitting them.

Seal kit NBR no. DS-247-N <sup>1)</sup>

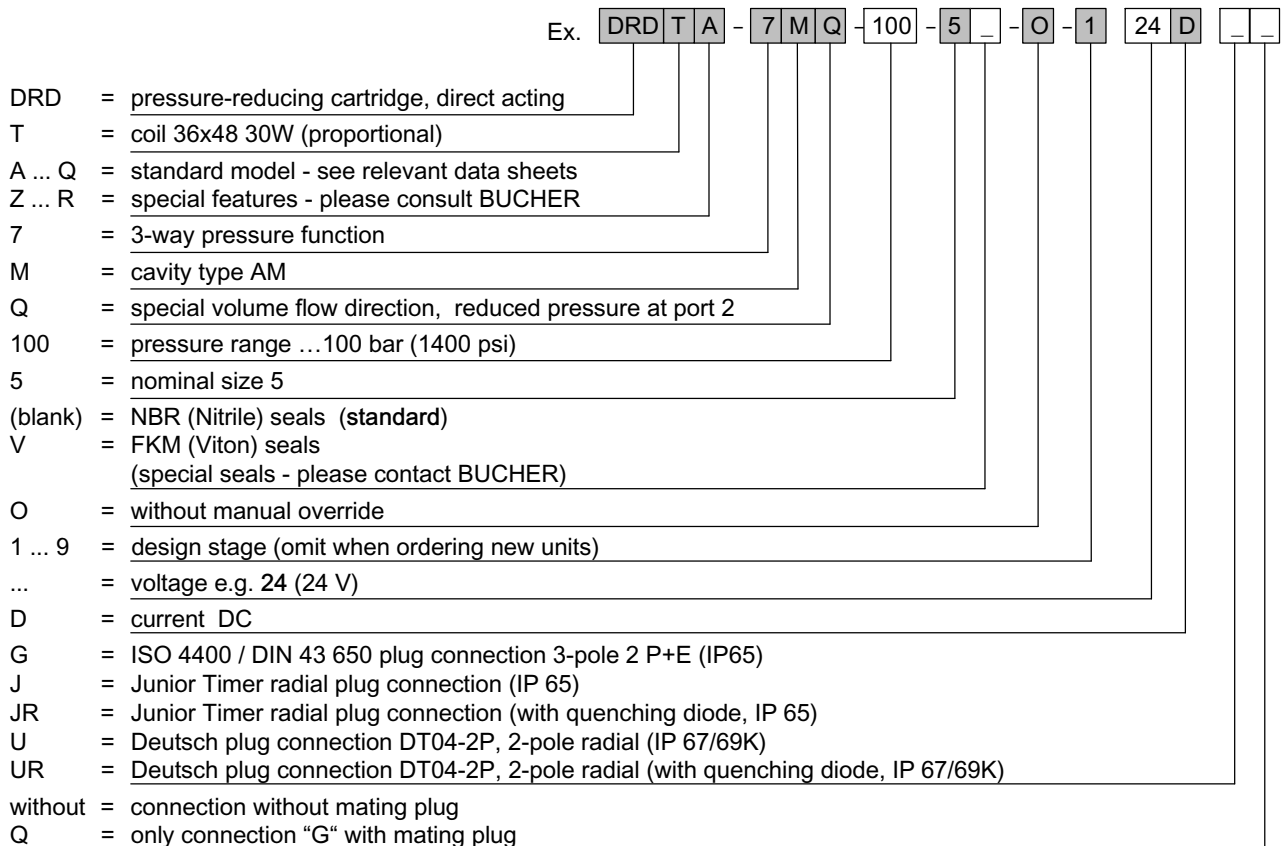
Item	Qty.	Description
1	1	O-ring $\varnothing 18,00 \times 2,00$ FKM
2	1	O-ring no. 017 $\varnothing 17,17 \times 1,78$ N90
3	1	O-ring no. 014 $\varnothing 12,42 \times 1,78$ N90
4	1	O-ring no. 013 $\varnothing 10,82 \times 1,78$ N90
5	2	O-ring $\varnothing 16,00 \times 2,00$ FKM
6	2	Backup ring $\varnothing 10,70 \times 1,45 \times 1,40$ FI0751
7	2	Backup ring $\varnothing 09,40 \times 1,45 \times 1,00$ FI0751



### IMPORTANT!

<sup>1)</sup> Seal kit with FKM (Viton) seals no. DS-247-V

## 7 Ordering code



## 8 Related data sheets

Reference	(Old no.)	Description
400-P-040011	(i-32)	The form-tool hire programme
400-P-040181	(i-33.11)	Cavity type AM
400-P-120212		Coil for solenoid valve, series 36X48/16.1
400-P-510101		Amplifier unit for proportional valves (1-channel) PBS - 3A
400-P-720111		Line-mounting body, type GAMA (G 3/8")

info.ch@bucherhydraulics.com

www.bucherhydraulics.com

© 2020 by Bucher Hydraulics AG Frutigen, CH-3714 Frutigen

All rights reserved.

Data is provided for the purpose of product description only, and must not be construed as warranted characteristics in the legal sense. The information does not relieve users from the duty of conducting their own evaluations and tests. Because the products are subject to continual improvement, we reserve the right to amend the product specifications contained in this catalogue.

Classification: 430.305.305.305.310