

Directional valve 3-way/2-position

$Q_{\max} = 15 \text{ gpm}$, $p_{\max} = 4500 \text{ psi}$
switching solenoid, direct acting, spool type
Type series: WKDI32G-8U-_-A...



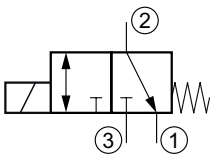
- Screw-in cartridge valve
- For cavity AU/C1030
- All external parts with zinc-nickel plating according to DIN EN ISO 19598
- Fits common cavity according to ISO and NFPA
- Reliable switching, even after long dwell times
- Low head loss
- Optional with manual override
- Installation in threaded port body type GAU-12
- The slip-on coil can be rotated, and it can be replaced without opening the hydraulic envelope
- High pressure wet-armature solenoids
- Various plug-connector systems and voltages are available

Description

The 3-way/2-position solenoid operated spool valves, series WKDI32G..., are NG 8, direct acting, pressure balanced screw-in valves with a 7/8-14 UNF mounting thread. They are designed on the proven sliding-spool principle. The straightforward design delivers an out-standing price/performance ratio. All external parts of the screw-in valves are zinc-nickel plated, and are thus suitable for use in the harshest operating en-

vironments. The slip-on coils can be replaced without opening the hydraulic envelope and can be positioned at any angle through 360°. These valves are primarily used in mobile and industrial applications as pilot valves for controlling the travel direction of actuators such as hydraulic motors and cylinders. For self-assembly, please refer to the section related data sheets.

Symbol



Technical data

General characteristics	Description, value, unit
Function group	Directional valve
Function	3-way/2-position
Design	Screw-in cartridge valve
Controls	switching solenoid
Characteristic	direct acting, spool type
MTTFd value	150 years
Construction size	NG 8 / SAE 10
Thread size	7/8-14 UNF-2A
Mounting attitude	unrestricted
Weight	1.50 lb
Cavity size acc. ISO	fits into ISO 17209: 7/8-03-0-13
Cavity acc. NFPA	fits into NFPA/T3.5.50: 0.875-03-0-09
Cavity acc. factory standard	For cavity AU/C1030
Tightening torque steel	60 ft·lb
Tightening torque aluminium	41 ft·lb
Tightening torque tolerance	± 10 %
Minimum ambient temperature	- 13 °F
Maximum ambient temperature	+ 122 °F
Surface protection	All external parts with zinc-nickel plating according to DIN EN ISO 19598
Sealing material	see ordering code
Seal kit order number	NBR: DS-519-N / FKM: DS-519-V

Hydraulic characteristics	Description, value, unit
Maximum operating pressure	4500 psi
Maximum flow rate	15 gpm
Flow direction	see symbol
Hydraulic fluid	HL and HLP mineral oil according to DIN 51 524; other fluids on request!
Minimum fluid temperature	- 13 °F
Maximum fluid temperature	+ 176 °F
Viscosity range	10 ... 500 mm ² /s (cSt)
Recommended viscosity range	15 ... 250 mm ² /s (cSt)
Minimum fluid cleanliness (cleanliness class according to ISO 4406:1999)	class 20/18/15

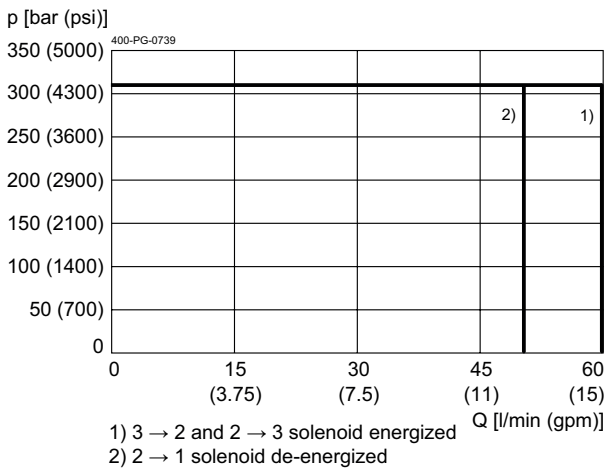
Electric characteristics	Description, value, unit
Actuator type	solenoid coil
Solenoid coils type	D45/207
Supply voltage DC	12/24 V DC
Supply voltage AC	115/230 (50 ... 60 Hz) V AC
Supply voltage tolerance	± 10 %
Maximum permissible power consumption	V DC = 30 ... 32 W / V AC = 31 ... 32 W
Switching time	Switching time measured at: U_N ; $\Delta p = 250 \text{ bar}$; $Q = 48 \text{ l/min}$; $T_{\text{Ambient}} = 20 \text{ °C}$; $\vartheta = 46 \text{ mm}^2/\text{s}$ Flow rate 3 to 2 (24 ms energizing, 99 ms de-energizing) Flow rate 2 to 1 (89 ms energizing, 29 de-energizing) Flow rate 2 to 3 (28 ms energizing, 122 de-energizing)
Relative duty cycle	100 %
Electrical connection coil	several connection types available, see ordering code
Protection class solenoid coil to ISO 20 653 / EN 60 529	several classes of protection available, see ordering code (with appropriate mating connector and proper fitting and sealing)

i NOTE!
 The switching time can be strongly dependent on flow rate, pressure, oil viscosity and the dwell time under pressure. In practice, the switching time may therefore deviate from the specified value range.

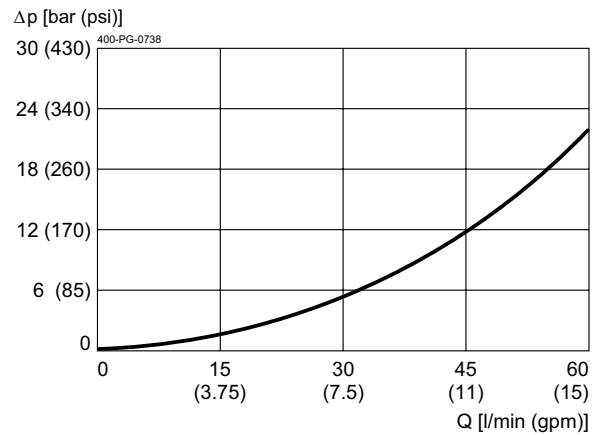
Performance graphs

measured with oil viscosity 33.0 mm²/s (cSt), coil at steady-state temperature and 10 % undervoltage

$p = f(Q)$ Performance limit



$\Delta p = f(Q)$ Pressure drop-flow rate characteristic

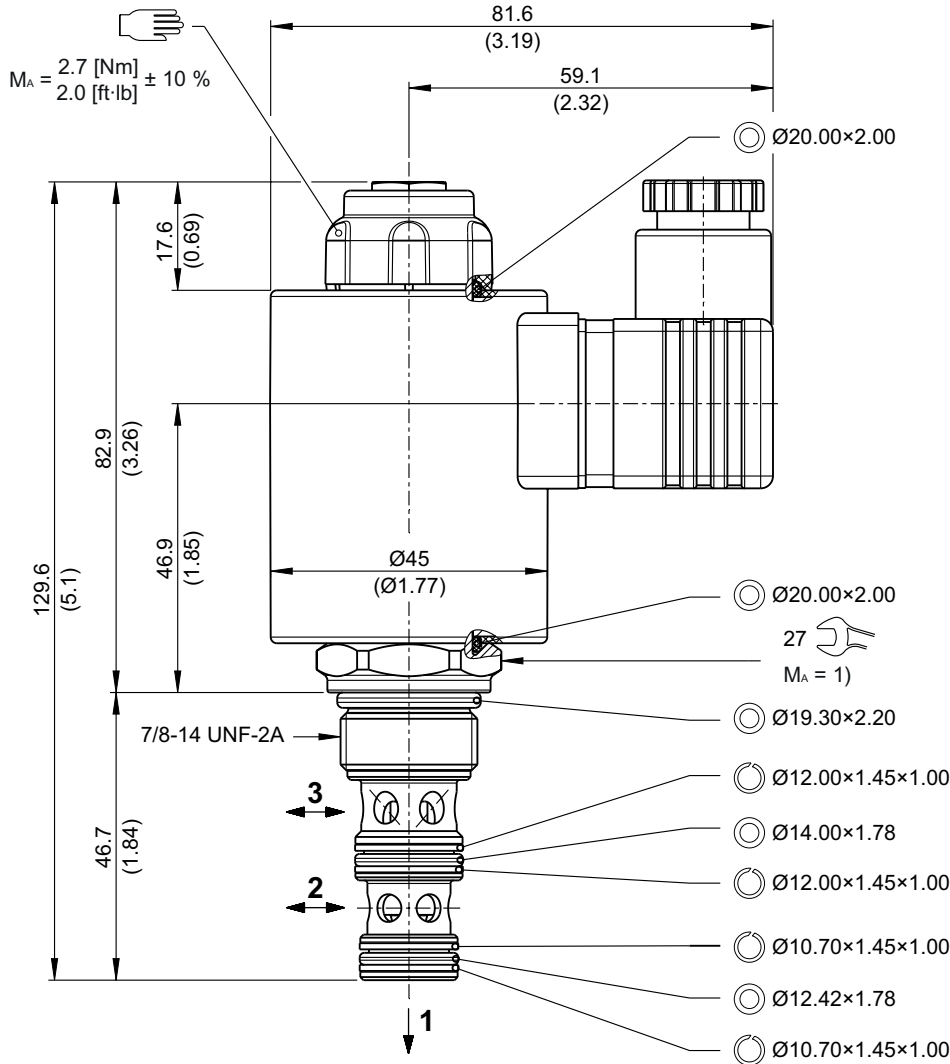


Dimensions and sectional view

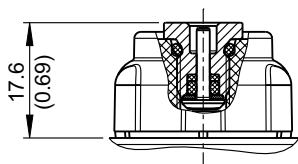
Beispiel für die Masseinheit:
Example for the dimensional units:

0.79 = 0.79 mm millimeter
(.031) = 0.031" inch

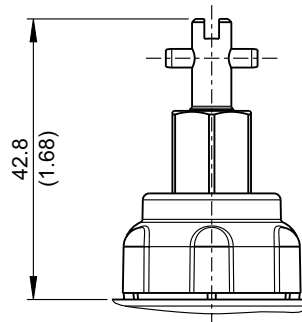
Ohne Handnotbetaetigung "O"
without manual override "O"



Mit Handnotbetaetigung "P"
with manual override "P"



Mit Handnotbetaetigung schraubbar "S"
with screw-in manual override "S"



Installation information



NOTE!

1) When fitting the screw-in cartridge valve, use the specified tightening torque. The value can be found in the chapter "Technical data".



NOTE!

The seals are not available individually. The seal kit order number can be found in the chapter "Technical data".



ATTENTION!

Only qualified personnel with mechanical skills may carry out any maintenance work. Generally, the only work that should ever be undertaken is to check, and possibly replace, the seals. When changing seals, oil or grease the new seals thoroughly before fitting them.

Ordering code

Ex.

W	K	D	I	32G	-	8	U	-	-	-	N	A	1	24	D	-
---	---	---	---	-----	---	---	---	---	---	---	---	---	---	----	---	---

- W = directional valve
 - K = spool-type
 - D = direct acting
 - I = electrically operated, 32 W
 - 32G = 3-way/2-position, normally closed
 - 8 = nominal size 8 / SAE 10
 - U = cavity type AU/C1030
 - O = without manual override
 - P = with manual override
 - S = with screwable manual override
 - N = NBR (nitril-butadien-rubber / BUNA) seals **(standard)**
 - V = FKM (fluorocarbon rubber / VITON) seals
(special seals - please consult BUCHER)
 - A ... Q = standard model according to valid data sheet
 - Z ... R = special model after consultation
 - 1 ... 9 = technical design no. (omit when ordering)
 - ... = voltage e.g. 24 (24 V)
 - D = current DC
 - A = current AC
 - (blank) = DIN EN 175301-803 connection, 3-pole 2 P+E with mating plug, IP 65 **(standard)**
 - M100 = DIN EN 175301-803 connection, 3-pole 2 P+E
for the following plug-variants, please consult BUCHER:
 - DT = Deutsch plug connection 45° DT04-2P (with quenching diode, IP67/69K)
 - JT = Junior Timer radial plug connection (with quenching diode, IP65)
 - F = flying leads (600mm)
- } mating plug not supplied

Related data sheets

Reference	Description
400-P-040011	Form tools
400-P-120120	Solenoid coil D45/207
400-P-040291	Cavity AU/C1030
400-P-738121	Threaded port body GAU-12-...
400-P-010101	MTTFD Values for Hydraulic Valves

info.ch@bucherhydraulics.com

www.bucherhydraulics.com

© 2023 by Bucher Hydraulics AG Frutigen, 3714 Frutigen, Switzerland

All rights reserved.

Data is provided for the purpose of product description only, and must not be construed as warranted characteristics in the legal sense. The information does not relieve users from the duty of conducting their own evaluations and tests. Because the products are subject to continual improvement, we reserve the right to amend the product specifications contained in this catalogue.