

Directional valve 3-way/2-position

$Q_{\max} = 5,5 \text{ gpm}$, $p_{\max} = 3600 \text{ psi}$

switching solenoid with emergency override, direct acting, poppet type

Type series: WS32GNA5...



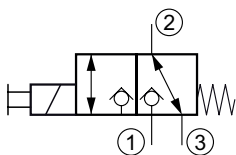
- Screw-in cartridge valve
- For cavity AM
- All external parts with zinc-nickel plating according to DIN EN ISO 19598
- With bidirectional seat-valve shut-off
- Low head loss
- High flow rates
- Seat tight shut-off
- Installation in threaded port body type GAMA
- De-energized closed
- The slip-on coil can be rotated, and it can be replaced without opening the hydraulic envelope
- High pressure wet-armature solenoids
- Various plug-connector systems and voltages are available

Description

The 3-way/2-position solenoid-operated directional valves, series WS32G..., are size 5, screw-in valves with a 3/4-16 UNF mounting thread. They are designed on the poppet/seat principle, and are therefore virtually leak-free. All external parts of the cartridge are zinc-nickel plated, and are thus suitable for use in the harshest operating environments. The slip-on coils can be replaced without opening the hydraulic envelope and

can be positioned at any angle through 360°. These valves are primarily used as pilot valves in certain mobile and industrial applications where leak-tight shut-off functions are crucially important. Examples are where loads, tensions, or clamping forces must be held without leakage. For self-assembly, please refer to the section related datasheets.

Symbol



Technical data

General characteristics	Description, value, unit
Function group	Directional valve
Function	3-way/2-position
Design	Screw-in cartridge valve
Controls	switching solenoid with emergency override
Characteristic	direct acting, poppet type
Construction size	NG 5
Thread size	3/4-16 UNF-2A
Mounting attitude	unrestricted
Weight	0,84 lb
Cavity acc. factory standard	For cavity AM
Tightening torque steel	35 ft·lb
Tightening torque aluminium	35 ft·lb
Minimum ambient temperature	- 13 °F
Maximum ambient temperature	+ 122 °F
Surface protection	All external parts with zinc-nickel plating according to DIN EN ISO 19598
Sealing material	see ordering code
Seal kit order number	NBR: DS-247-N / FKM DS-247-V

Hydraulic characteristics	Description, value, unit
Maximum operating pressure	3600 psi
Maximum flow rate	5,5 gpm
Flow direction	see symbol
Hydraulic fluid	HL and HLP mineral oil according to DIN 51 524; other fluids on request!
Minimum fluid temperature	- 13 °F
Maximum fluid temperature	+ 176 °F
Viscosity range	10 ... 500 mm ² /s (cSt)
Recommended viscosity range	15 ... 250 mm ² /s (cSt)
Minimum fluid cleanliness (cleanliness class according to ISO 4406:1999)	class 20/18/15

Electric characteristics	Description, value, unit
Actuator type	solenoid coil
Solenoid coils type	D36
Supply voltage DC	12/24 V DC
Supply voltage AC	115/230 (50 ... 60 Hz) V AC
Supply voltage tolerance	± 10 %
Maximum permissible power consumption	VAC = 25 W / VDC = 27 W
Switching time	34 ... 300ms (energizing), 10... 30ms (de-energizing)
Relative duty cycle	100 %
Electrical connection coil	several connection types available, see ordering code
Protection class solenoid coil to ISO 20 653 / EN 60 529	IP 65 / IP 67 / IP 69K, see "Ordering code" (with appropriate mating connector and proper fitting and sealing)



NOTE!

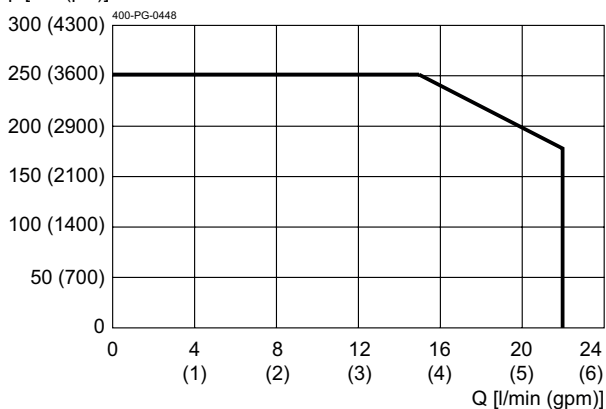
The switching time can be strongly influenced by flow rate, pressure, viscosity, and the dwell period under pressure. In practice, the switching time may therefore deviate from the specified value range.

Performance graphs

measured with oil viscosity 33.0 mm²/s (cSt), coil at steady-state temperature and 10 % undervoltage

$p = f(Q)$ Performance limit

p [bar (psi)]



Permissible pressures are dependent on the volume flow direction.

Direction 1 to 2 and 2 to 3:

250 bar at port 1 and 2

20 bar at port 3

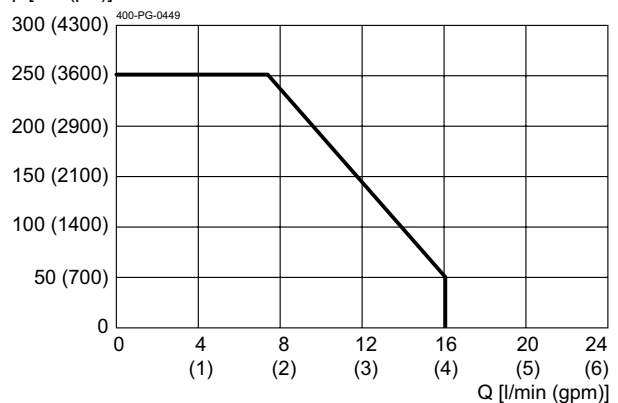
Direction 3 to 2 and 2 to 1:

250 bar at port 2 and 3

20 bar at port 1

$p = f(Q)$ Performance limit

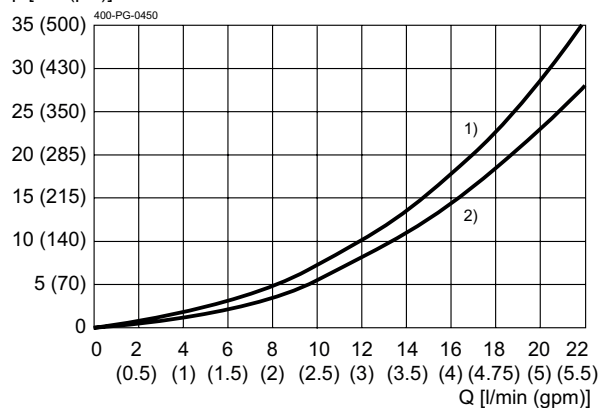
p [bar (psi)]



The max. operating pressure of 250 bar applies to all volume flow directions.

$\Delta p = f(Q)$ Pressure drop-flow rate characteristic

p [bar (psi)]

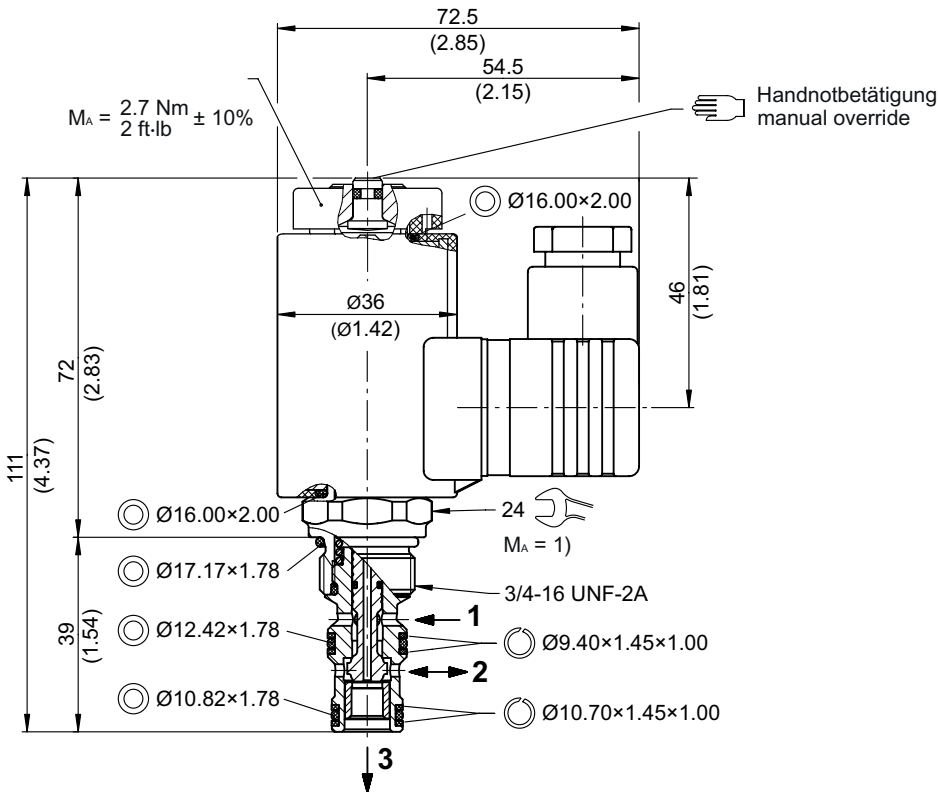


1) 1 → 2

2) 2 → 3

Dimensions and sectional view

Beispiel für die Masseinheit:
Example for the dimensional units:
0.79 = 0.79 mm millimeter
(.031) = 0.031" inch



Installation information



IMPORTANT!

1) When fitting the screw-in cartridge valve, use the specified tightening torque. The value can be found in the chapter "Technical data".



NOTE!

The seals are not available individually. The seal kit order number can be found in the chapter "Technical data".



ATTENTION!

Only qualified personnel with mechanical skills may carry out any maintenance work. Generally, the only work that should ever be undertaken is to check, and possibly replace, the seals. When changing seals, oil or grease the new seals thoroughly before fitting them.

Ordering code

Ex.

W	S	32G	N	A	5	_	-	2	24	D	_
---	---	-----	---	---	---	---	---	---	----	---	---

- W = directional valve
- S = seat type, direct acting
- 32G = 3-way/2-position function, de-energized closed
- N = electrically operated, V DC = 27 W / V AC = 25 W
- A ... Q = standard model - see relevant data sheets
- Z ... R = special features - please consult BUCHER
- 5 = nominal size 5
- (blank) = NBR (nitril-butadien-rubber / BUNA) seals (*standard*)
- V = FKM (fluorocarbon rubber / VITON) seals (*special seals - please contact BUCHER*)
- 1 ... 9 = design stage (omit when ordering)
- ... = voltage e.g. 24 (24 V)
- D = current DC
- A = current AC
- (blank) = DIN EN 175301-803 connection, 3-pole 2 P+E with mating plug, IP 65 (*standard*)
- M100 = DIN EN 175301-803 connection, 3-pole 2 P+E
- C = Kostal plug connection (IP 65)
- JT = Junior Timer radial plug connection (with protection diode, IP65)
- IT = Junior Timer axial plug connection (with protection diode, IP65)
- D = Deutsch plug connection DT04-2P (IP 67/69K)
- DT = Deutsch plug connection DT04-2P (with protection diode, IP 67/69K)
- S = AMP Superseal 1.5 (IP67) / Metri-Pack 150 (IP65) plug connection
- F = flying leads (500 mm)

} mating plug not supplied

Related data sheets

Reference	Description
400-P-040011	Form tools
400-P-120110	Solenoid coil D36
400-P-040181	Cavity AM
400-P-720111	Threaded port body GAMA