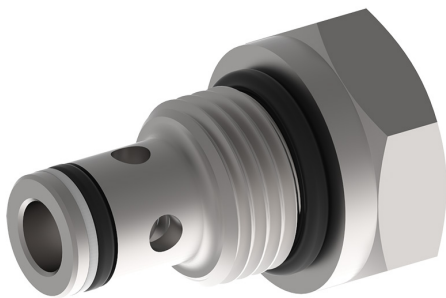


Check valve

Spring loaded check

$Q_{\max} = 37 \text{ l/min}$, $p_{\max} = 350 \text{ bar}$
ball type, hydraulic operation
Type series: CVFB-08-...



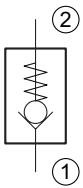
- Screw-in cartridge valve
- For cavity C0820
- All external parts zinc plated, chromited (CrVI-free)
- Installation in threaded port body type B0820

Description

This unit is a screw-in cartridge style, guided ball, hydraulic check valve, for use as a blocking or load holding device for high pressure applications. This valve

allows free flow from port 1 to port 2 and blocks flow from port 2 to port 1 or holding a load.

Symbol



Technical data

General Characteristics	Description, value, unit
Function group	Check valve
Function	Spring loaded check
Design	Screw-in cartridge valve
Controls	hydraulical operation
Characteristic	ball type
Construction size	SAE 08 / nominal size 5
Thread size	3/4-16 UNF-2A
Mounting attitude	unrestricted
Weight	0.12 kg
Cavity acc. factory standard	For cavity C0820
Tightening torque steel	50.5 Nm
Tightening torque aluminium	37.5 Nm
Tightening torque tolerance	± 5 %
Minimum ambient temperature	- 30 °C
Maximum ambient temperature	+ 120 °C
Surface protection	All external parts zinc plated, chromited (CrVI-free)
Available seal types	several seal types available, see ordering code
Seal kit order number	NBR: SKN-0821 / FKM: SKV-0821

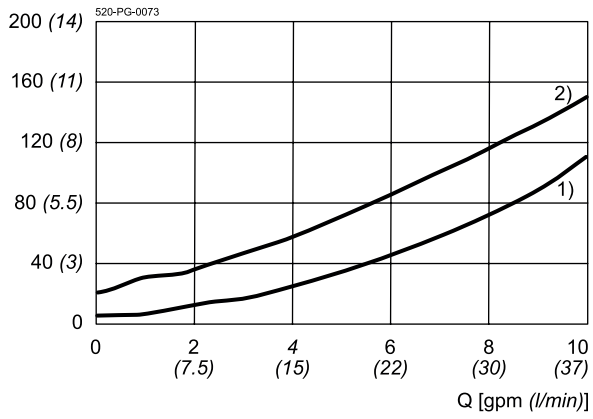
Hydraulic Characteristics	Description, value, unit
Maximum operating pressure	350 bar
Maximum flow rate	37 l/min
Flow direction	see symbol
Hydraulic fluid	All general purpose hydraulic fluids such as MIL-H-5606, SAE-#10, SAE-#20, etc.
Minimum fluid temperature	- 25 °C
Maximum fluid temperature	+ 80 °C
Viscosity range	10 ... 500 mm ² /s (cSt)
Recommended viscosity range	15 ... 250 mm ² /s (cSt)
Minimum fluid cleanliness (cleanliness class according to ISO 4406:1999)	class 18/16/13
Internal leakage flow rate	5 drops/min maximum at 350 bar

Performance graphs

measured with oil viscosity 28.5 mm²/s (cSt)

$\Delta p = f(Q)$ Pressure drop-flow rate characteristic

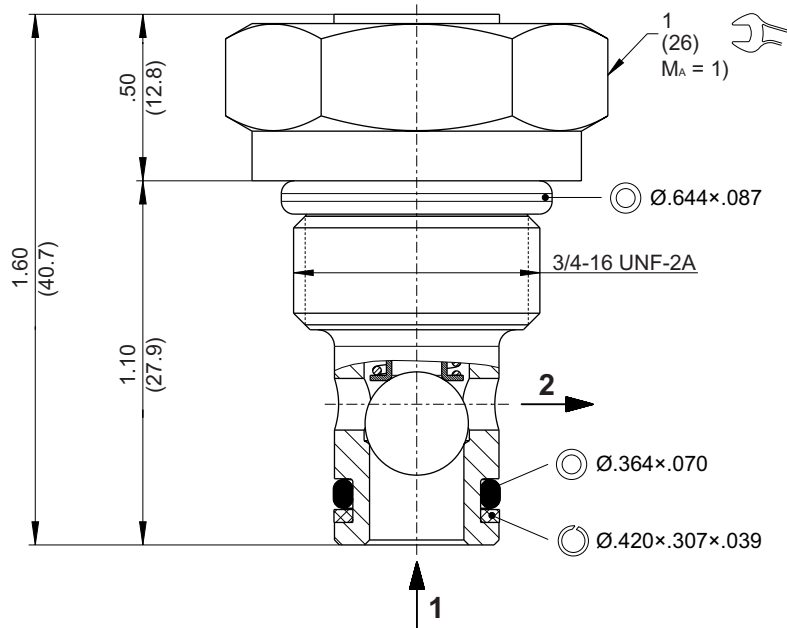
Δp [psi (bar)]



1) = p_N 5 psi (0.35 bar)
2) = p_N 25 psi (1.8 bar)

Dimensions and sectional view

Beispiel für die Masseinheit:
Example for the dimensional units:
 .031 = 0.031" inch
 (0.79) = 0.79 mm millimeter



Installation information



ATTENTION!

Only qualified personnel with mechanical skills may carry out any maintenance work. Generally, the only work that should ever be undertaken is to check, and possibly replace, the seals. When changing seals, oil or grease the new seals thoroughly before fitting them.



NOTE!

1) When fitting the screw-in cartridge valve, use the specified tightening torque. The value can be found in the chapter "Technical data".



NOTE!

The seals are not available individually. The seal kit order number can be found in the chapter "Technical data".

Ordering code

e.g. CVFB - 08 - N - 0 - 005

- CVFB = spring loaded check valve
- 08 = nominal size SAE 08 / NG 5
- N = NBR (nitril-butadien-rubber / BUNA) seals (*standard*)
- V = FKM (fluorocarbon rubber / VITON) seals
(*special seals - please consult BUCHER*)
- 0 = screw-in cartridge only
- 06TA = line-mounting body aluminum SAE #06 ports
- 06TS = line-mounting body steel SAE #06 ports
- 005 = opening pressure 5 psi
- 010 = opening pressure 10 psi
- 025 = opening pressure 25 psi
- 050 = opening pressure 50 psi

Related data sheets

Reference	Description
520-P-000050	Form tools
520-P-000110	Cavity C0820
520-P-000111	Threaded port body B0820