

Check valve

Spring loaded check

$Q_{\max} = 80 \text{ l/min}$, $p_{\max} = 220 \text{ bar}$

ball type

Type series: RKVE-G-08-__-VD22



- Screw-in cartridge valve
- Unhardened cost optimized version
- Exceptionally high Q_{\max} with extremely low Δp
- No soft seal, thus not depending on temperature and pressure fluid
- Virtually leak-proof in closed condition

Description

The spherical poppet-type check valve of the RKVE-VD22 series is a cost-optimized alternative to the RKVE-VD for applications up to 220 bar. This series is characterized by very high pressure load capacity and extremely low Δp . Compared with the RKVE..., the permissible flow rate for the RKVE...-VD22 valve series has been increased by 50% for the same pressure dif-

ferential. Valve seat, poppet and body are unhardened. The valve has a cutting edge for metal-to-metal sealing. By eliminating the soft seal, the valve can be applied without regard to temperature and pressure fluid. The valves prevent flow in the screw-in direction (B to A) and open in the opposite direction. The valve is available in nominal sizes 04, 06, 08 and 10.

Symbol



Technical Data

General Characteristics	Description, value, unit
Function group	Check valve
Function	Spring loaded check
Design	Screw-in cartridge valve
Characteristic	ball type
Construction size	nominal size 08
Thread size	G 3/8"
Mounting attitude	unrestricted
Weight	0,013 kg
Tightening torque steel	8 Nm

Hydraulic Characteristics	Description, value, unit
Maximum operating pressure	220 bar
Maximum flow rate	80 l/min
Nominal flow rate	50 l/min
Flow direction	see symbol
Hydraulic fluid	HL and HLP mineral oil according to DIN 51 524; other fluids on request!
Minimum fluid temperature	- 30 °C
Maximum fluid temperature	+ 120 °C
Viscosity range	10 ... 500 mm ² /s (cSt)
Minimum fluid cleanliness (cleanliness class according to ISO 4406:1999)	class 20/18/15
Opening pressure	0.2 / 0.5 / 1.0 bar

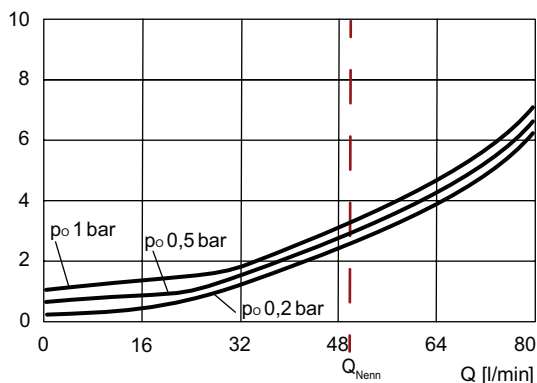
i NOTE!
For other values please contact Bucher Hydraulics.

Performance graphs

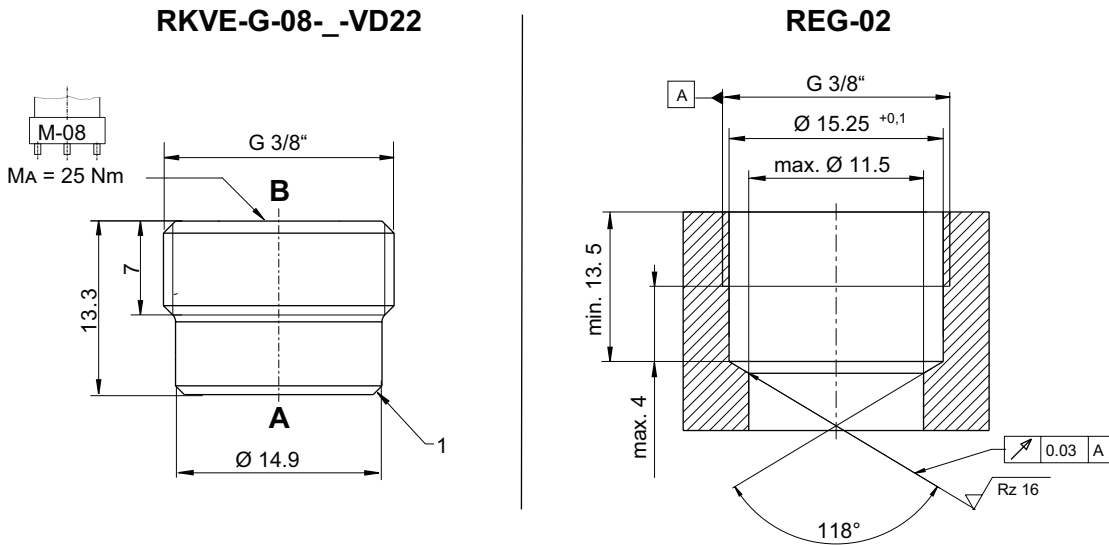
measured with oil viscosity 33.0 mm²/s (cSt)

$\Delta p = f(Q)$ Pressure drop-flow rate characteristic

Δp [bar]



Dimensions and sectional view



RKVE-G-08-_-VD22 = check valve / screw-in cartridge valve

REG-02 = dimension of the cavity for screw-in cartridge RKVE-G-08-_-VD22

1 = sealing edge for metal-to-metal sealing

The dimensions specified apply to the mounted state.

Installation information



NOTE!

When fitting the screw-in cartridge valve, use the specified tightening torque. The value can be found in the chapter technical data. Orifices or nozzles are to be placed after the check valve. If this is not possible, a right-angled bore must be designated between the check valve and the nozzle. (see data sheet 170-P-059000). Suitable fitting tools are available at Bucher Hydraulics (see data sheet 170-P-051600).



ATTENTION!

When fitting the valve, make sure that it is firmly seated on the sealing surface and that it is not deformed by the use of excessive force.

Application Notes



NOTE!

The maximum operating pressure must not be exceeded even when pressure peaks occur. In applications such as accumulator circuits, where sudden pressure can be applied to the valve in the free-flow direction, ensure that the specified flow ratings are not exceeded. Buyers bear the sole responsibility for ensuring that the valve is suitable for their applications and must be substantiated by trials or testing, if necessary.



ATTENTION!

The valves are only suitable for pressure relief in the opening direction to a limited extent. (if necessary, please consult Bucher Hydraulics).

Ordering code

RKVE - G - 08 - 02 - VD22

- RKVE = check valve, screw-in type, spherical poppet
- G = whitworth pipe thread G3/8"
- 08 = nominal size 08, Q_{Nominal} 50 l/min
- 02 = opening pressure 0,2 bar (Item Number: 170648540)
- 05 = opening pressure 0,5 bar (Item Number: 170648541)
- 1 = opening pressure 1 bar (Item Number: 170648542)
- VD22 = unhardened, cost-optimized version for max. 220 bar

Related data sheets

Reference	Description
170-P-051600	Mounting tool for series RKVE... and RV...
170-P-059000	Using nozzles or orifices before a Check Valve