

# Lock valve

## Spring-loaded non-return valve

---

$Q_{\max} = 15 \text{ l/min}$ ,  $p_{\max} = 350 \text{ bar}$

ball type

Type series: RKVG-G-04-...



- Screw-in cartridge valve
- Exceptionally high  $Q_{\max}$  with extremely low  $\Delta p$
- No soft seal, thus not depending on temperature and pressure fluid
- Virtually leak-proof in closed condition
- High pressure rating

### Description

The RKVG series spherical poppet-type check valve is characterized by very high pressure load capacity and extremely low  $\Delta p$ . The valve has a cutting edge for metal-to-metal sealing. By eliminating the soft seal, the valve can be applied without regard to temperature and pressure fluid.

The spring-loaded poppet-type check valve very

robust, extremely leak-proof and insensitive to contamination. Valve seat, poppet and body are hardened. The properties of the sealing faces have been enhanced by precision mechanical processing. The valves prevent flow in the screw-in direction (A to B) and open in the opposite direction. The valve is available in nominal sizes 03, 04, 06, 08, 10 and 16.

### Symbol



## Technical data

General characteristics	Description, value, unit
Function group	Lock valve
Function	Spring-loaded non-return valve
Design	Screw-in cartridge valve
Characteristic	ball type
Construction size	nominal size 04
Thread size	G 1/8"
Mounting attitude	unrestricted
Weight	0.004 kg
Tightening torque steel	8 Nm

Hydraulic characteristics	Description, value, unit
Maximum operating pressure	350 bar
Maximum flow rate	15 l/min
Nominal flow rate	8 l/min
Flow direction	see symbol
Hydraulic fluid	HL and HLP mineral oil according to DIN 51 524; other fluids on request!
Minimum fluid temperature	- 30 °C
Maximum fluid temperature	+ 80 °C
Viscosity range	10 ... 500 mm <sup>2</sup> /s (cSt)
Minimum fluid cleanliness (cleanliness class according to ISO 4406:1999)	class 20/18/15
Opening pressure	0.2 / 0.5 / 1.0 bar



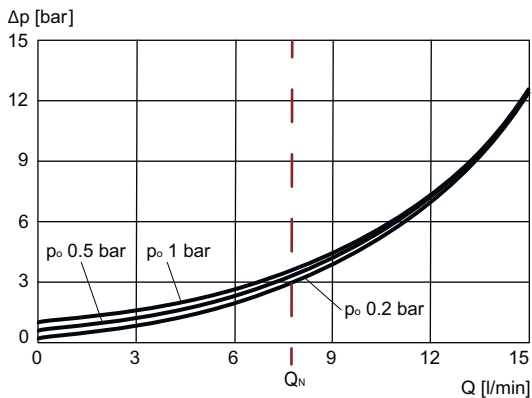
**NOTE!**

For other values please contact Bucher Hydraulics.

## Performance graphs

measured with oil viscosity 33.0 mm<sup>2</sup>/s (cSt)

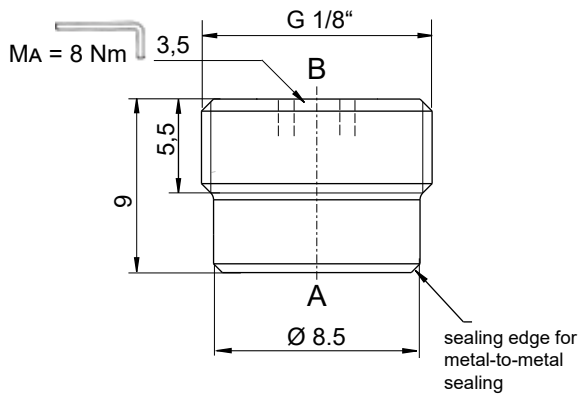
$\Delta p = f(Q)$  Pressure drop-flow rate characteristic



## Dimensions and sectional view

### RKVG-G-04

The dimensions specified apply to the mounted state.



For cavity REG-02

## Installation information



### NOTE!

When fitting the screw-in cartridge valve, use the specified tightening torque. The value can be found in the chapter "Technical data". Orifices or nozzles are to be placed after the check valve. If this is not possible, a right-angled bore must be designated between the check valve and the nozzle. (see data sheet 170-P-059000). Suitable fitting tools are available at Bucher Hydraulics (see data sheet 170-P-051600).



### ATTENTION!

When fitting the valve, make sure that it is firmly seated on the sealing surface and that it is not deformed by the use of excessive force.

## Application Notes



### NOTE!

The maximum operating pressure must not be exceeded even when pressure peaks occur. In applications such as accumulator circuits, where sudden pressure can be applied to the valve in the free-flow direction, ensure that the specified flow ratings are not exceeded. Buyers bear the sole responsibility for ensuring that the valve is suitable for their applications and must be substantiated by trials or testing, if necessary.



### ATTENTION!

The valves are only suitable for pressure relief in the opening direction to a limited extent. (if necessary, please consult Bucher Hydraulics).

## Ordering code

Ex. RKVG - G - 04 - 02

- RKVG = check valve, screw-in type, spherical poppet,  
(no-flow direction opposite to screw-in direction)
- G = whitworth pipe thread G1/8"
- 04 = nominal size 04, Q<sub>Nominal</sub> 8 l/min
- 02 = opening pressure 0.2 bar (Item no.: 170628601)
- 05 = opening pressure 0.5 bar (Item no.: 170628600)
- 1 = opening pressure 1.0 bar (Item no.: 170628606)

## Related data sheets

Reference	Description
<a href="#">170-P-059000</a>	Using nozzles or orifices before a Check Valve
<a href="#">170-P-080010</a>	Cavity REG-02-04

[info.de@bucherhydraulics.com](mailto:info.de@bucherhydraulics.com)

[www.bucherhydraulics.com](http://www.bucherhydraulics.com)

© 2025 by Bucher Hydraulics Dachau GmbH, 85221 Dachau, Germany

All rights reserved.

Data is provided for the purpose of product description only, and must not be construed as warranted characteristics in the legal sense. The information does not relieve users from the duty of conducting their own evaluations and tests. Because the products are subject to continual improvement, we reserve the right to amend the product specifications contained in this catalogue.