

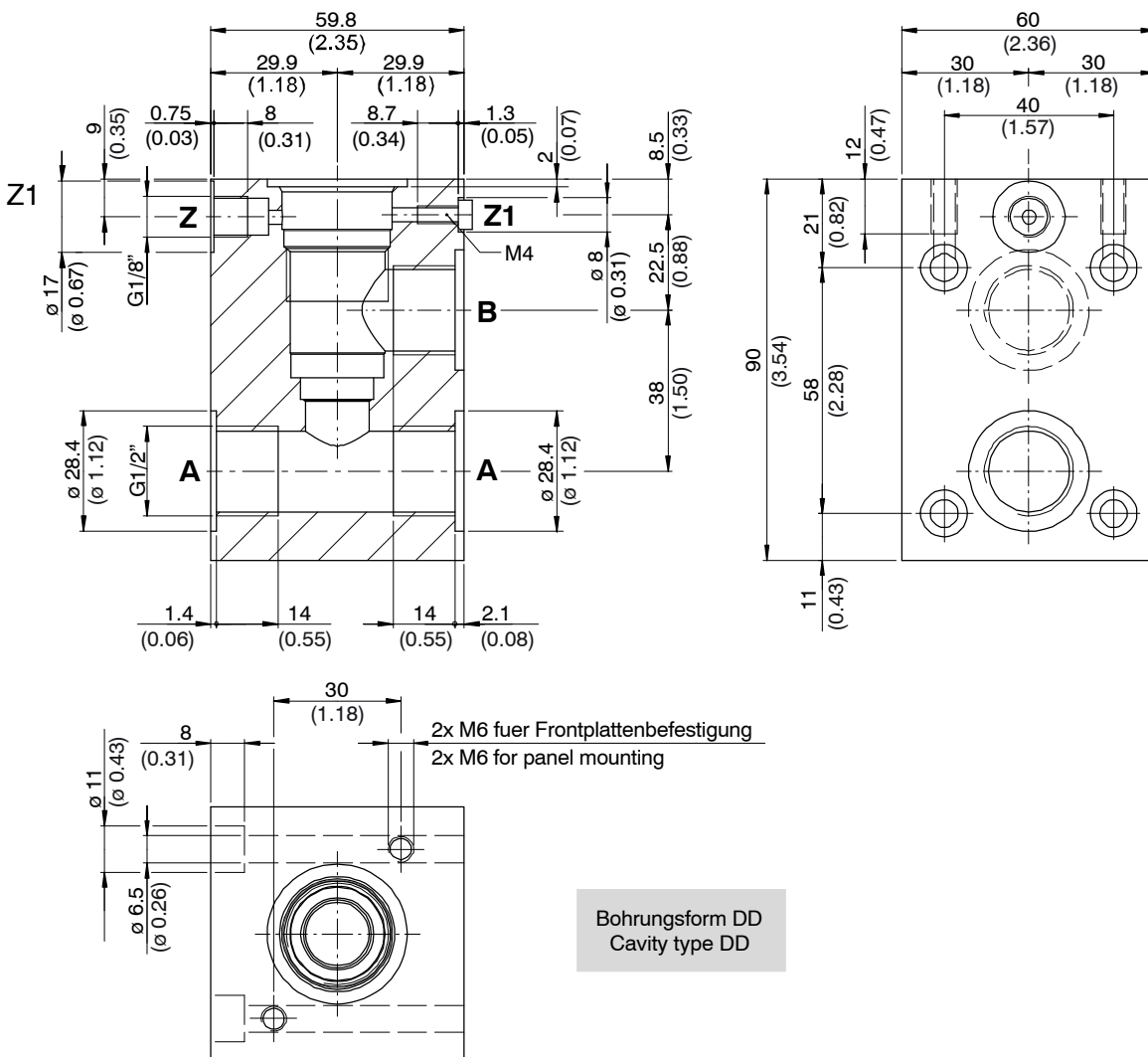
# Line- and Manifold-Mounting Body, Size 10

Type DDY-12

$p_{max}$  450 bar (250 bar for manifold mounting)

- Ports A and B: G 1/2"
- Port Z: G 1/8"
- Port Z1: M4
- Material: steel
- Surface protection: zinc-nickel plating
- Weight: 2.0 kg

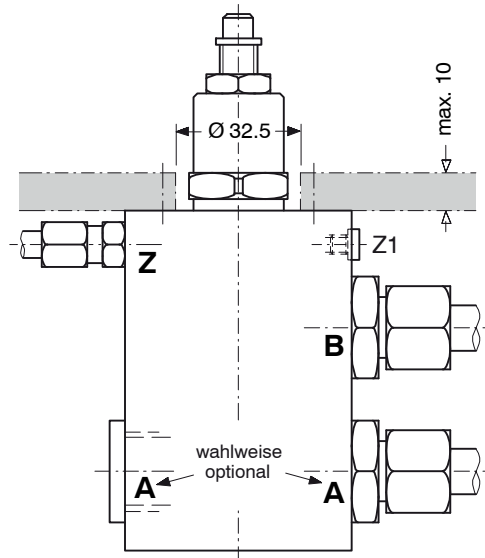
## 1 Dimensions & sectional view



Bohrungsform DD  
Cavity type DD

## 2 Application examples

### Line mounting



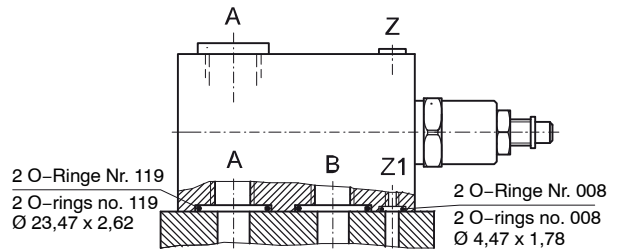
### Manifold mounting



#### ATTENTION!

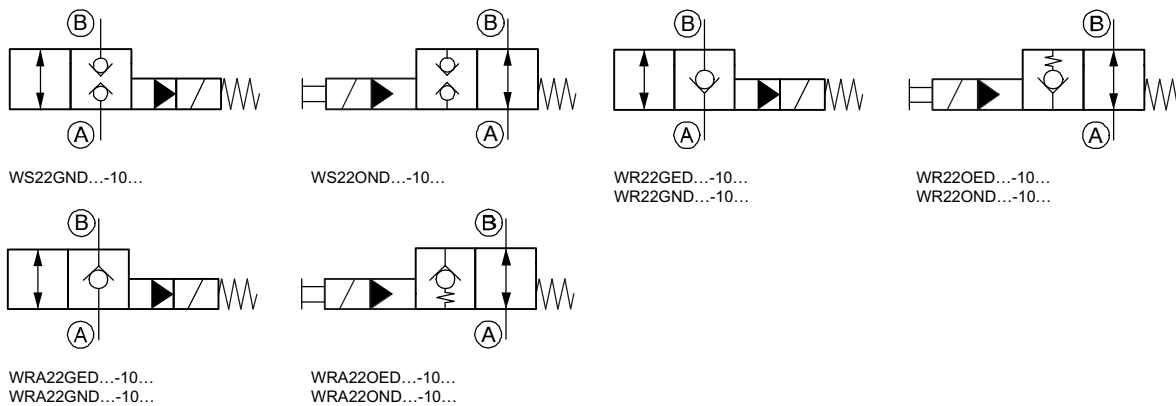
For manifold mounting the maximum operating pressure is 250 bar. Cylinder cap screws M6/12.9 have to be used. Higher pressures on request.

For manifold mounting remove M4 screw in Z1 and blank off these port A with G 1/2" and port Z with G 1/8" plug.

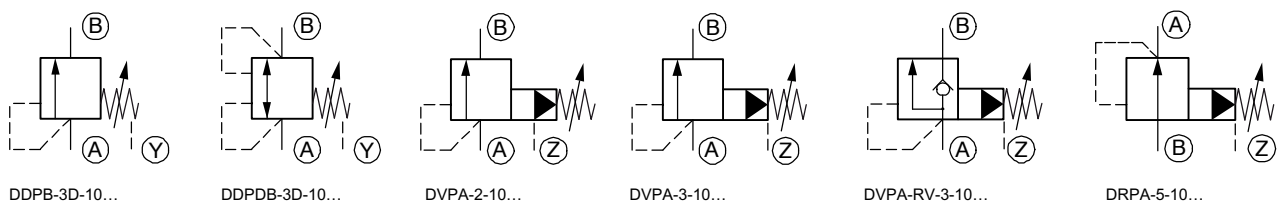


## 3 Cartridge valves

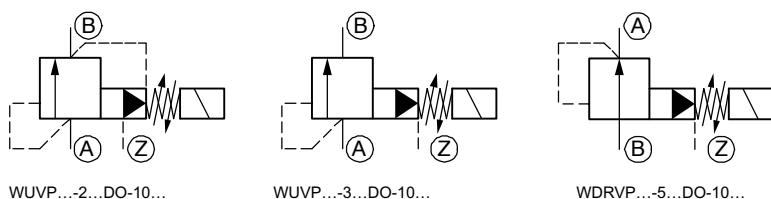
### 2/2 directional cartridges (solenoid operated)



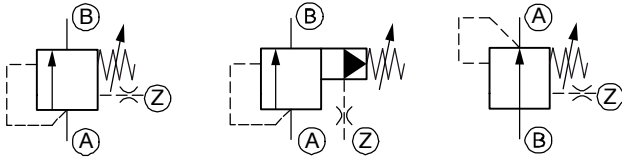
### Pressure regulating cartridges (manually adjusted)



### Pressure regulating cartridges (solenoid operated)



## Hydrostat cartridges (manually adjusted)

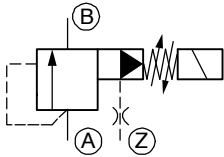


DWDPB-2D-10...

DWVPA-2-10...  
DWVPZ-2-10...

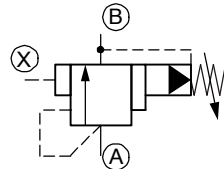
DWDPB-5D-10...

## Hydrostat cartridge (solenoid operated)



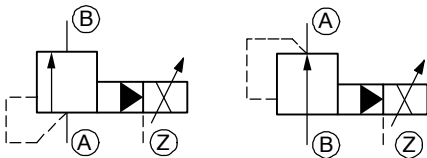
WDWVPB-2...DO-10...  
WDWVPY-2...DO-10...

## Upresure unloading cartridge valve



DWPA-2-10...  
DWPAU-2-10...

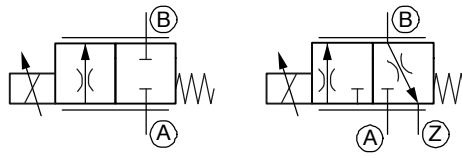
## Proportional-pressure control cartridges



DVPSA-3D...-10...

DRPSA-3D...-10...

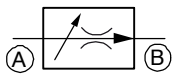
## Proportional-throttle cartridges



MDRPA-DG-10...

MDRPA-DGE-10...

## Flow control cartridge



MRP-2D-10...

info.ch@bucherhydraulics.com

www.bucherhydraulics.com

© 2021 by Bucher Hydraulics AG Frutigen, CH-3714 Frutigen

All rights reserved.

Data is provided for the purpose of product description only, and must not be construed as warranted characteristics in the legal sense. The information does not relieve users from the duty of conducting their own evaluations and tests. Because the products are subject to continual improvement, we reserve the right to amend the product specifications contained in this catalogue.

Classification: 430.395.-.-. (G-24.21)