

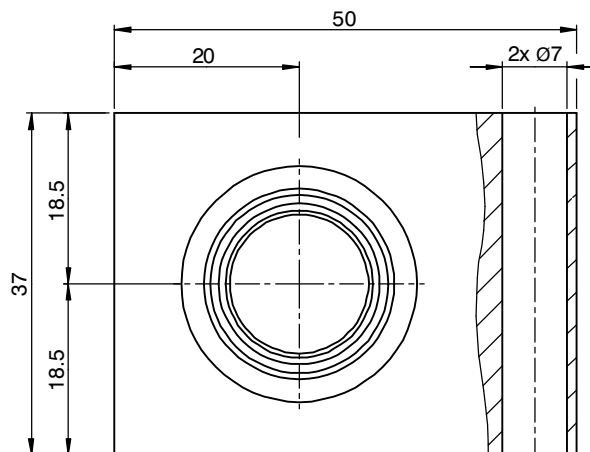
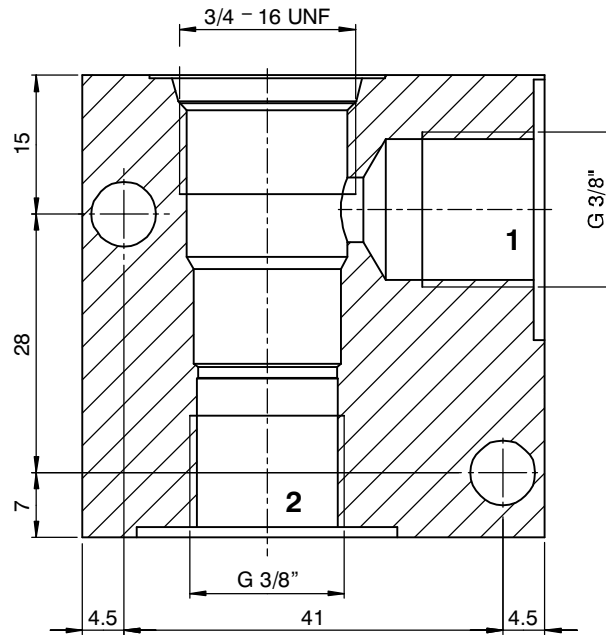
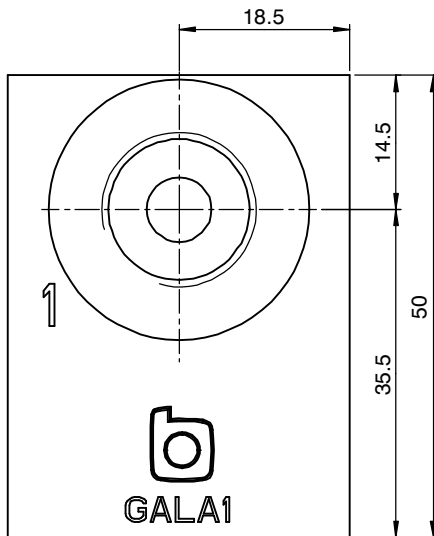
Line-Mounting Body, Size 5

Type GALA, p_{max} 420 bar

- Ports 1 and 2: G 3/8"
- Material: steel

- Surface protection:
Zinc plated and chromited (Cr VI-free)
- Weight: 0.60 kg

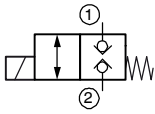
1 Dimensions & sectional view



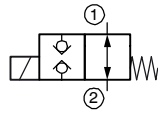
Bohrungsform AL
Cavity type AL

2 Cartridge valves

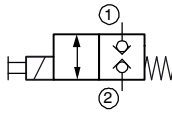
2/2 directional cartridges (solenoid operated)



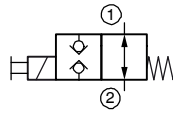
WSP22GLA1...
WSP22GNA3...



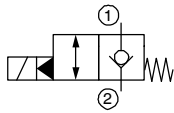
WSP22OLA1...
WSP22ONA3...



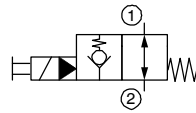
WS22GNA5...



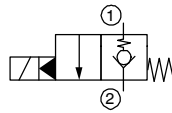
WS22ONA5...



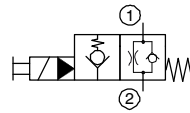
WR22GEA5...
WRP22GEA5...



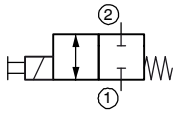
WR22OEA5...
WRP22OEA5...



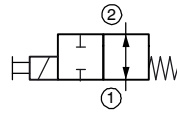
WR22LEA5...



WR22KEA5...

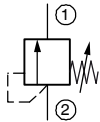


WK22GEA5...
WK22GNA5...



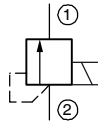
WK22OEA5...
WK22ONA5...

Pressure regulating cartridge (manually adjusted)



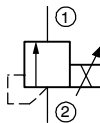
DDPC-1L-4...

Pressure regulating cartridge (solenoid operated)

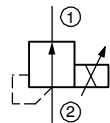


WUVA-1LO...-1...

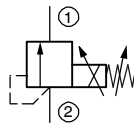
Proportional-pressure control cartridges



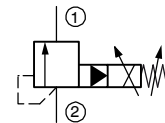
DVSA-1L...
(pilot valve)



DBDRB-1L...
DBDSB-1L...



DBDRB-1LG...
DBDSB-1LG...



DBVSA-1LG...

info.ch@bucherhydraulics.com

www.bucherhydraulics.com

© 2015 by Bucher Hydraulics AG Frutigen, CH-3714 Frutigen

All rights reserved.

Data is provided for the purpose of product description only, and must not be construed as warranted characteristics in the legal sense. The information does not relieve users from the duty of conducting their own evaluations and tests. Because the products are subject to continual improvement, we reserve the right to amend the product specifications contained in this catalogue.

Classification: 430.395.