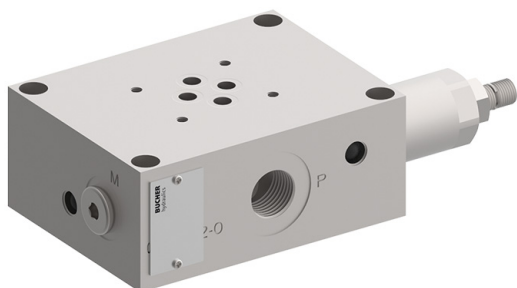


Threaded subplates, ISO Size 03

$Q_{max} = 80 \text{ l/min}$, $p_{max} 350 \text{ bar}$

With integral pressure-relief cartridge, port thread G1/2"

Series GPC-612 + DVPA-1... / GPC-612 + WUVP_C-1...



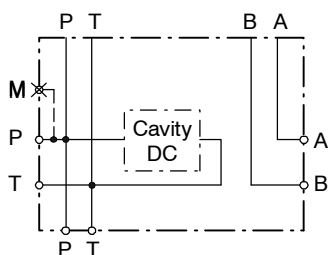
- All-purpose unit with a multitude of uses
- Size 03 interface to ISO 4401-03-02
- Pressure-relief function from P → T
- With manual adjustment or electrical operation
- Ports P, A, B and T – G1/2"
- Pressure-gauge port – G1/4"
- Available with hand-knob or tamper-proof cap
- Exposed cartridge parts with zinc-nickel plating
- Steel subplate, zinc phosphated

1 Description

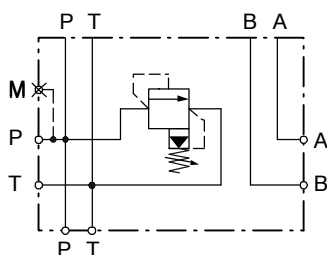
Series GPC-612... threaded-port subplates with size 03 interface to ISO 4401-03-02 are furnished with our cavity type DC. The subplates can be supplied with or without pressure-relief cartridge, which relieves from P → T. We fit our size 10 pressure-relief cartridges, which have been proven over many years of service and are available as manually adjusted or electrically operated models. For further technical information, please refer to the data sheet for the respective pressure-relief valve. Ports P, A, B and T with

G1/2" thread are located on the sides. Alternative P and T ports (G1/2") are provided on the bottom of the subplate. A G1/4" side port for a pressure gauge is also provided. This port is plugged when the subplate is shipped. The threaded-port subplate is made of steel and is zinc phosphated. All external parts of the cartridge are zinc-nickel plated to DIN 50 979 and are thus suitable for use in the harshest operating environments.

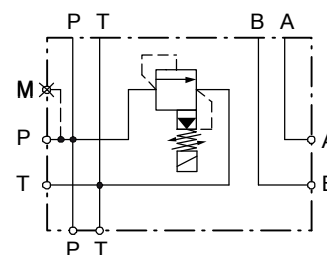
1 Symbol



GPC-612-0 (without cartridge)



GPC-612-0 + DVPA-1...

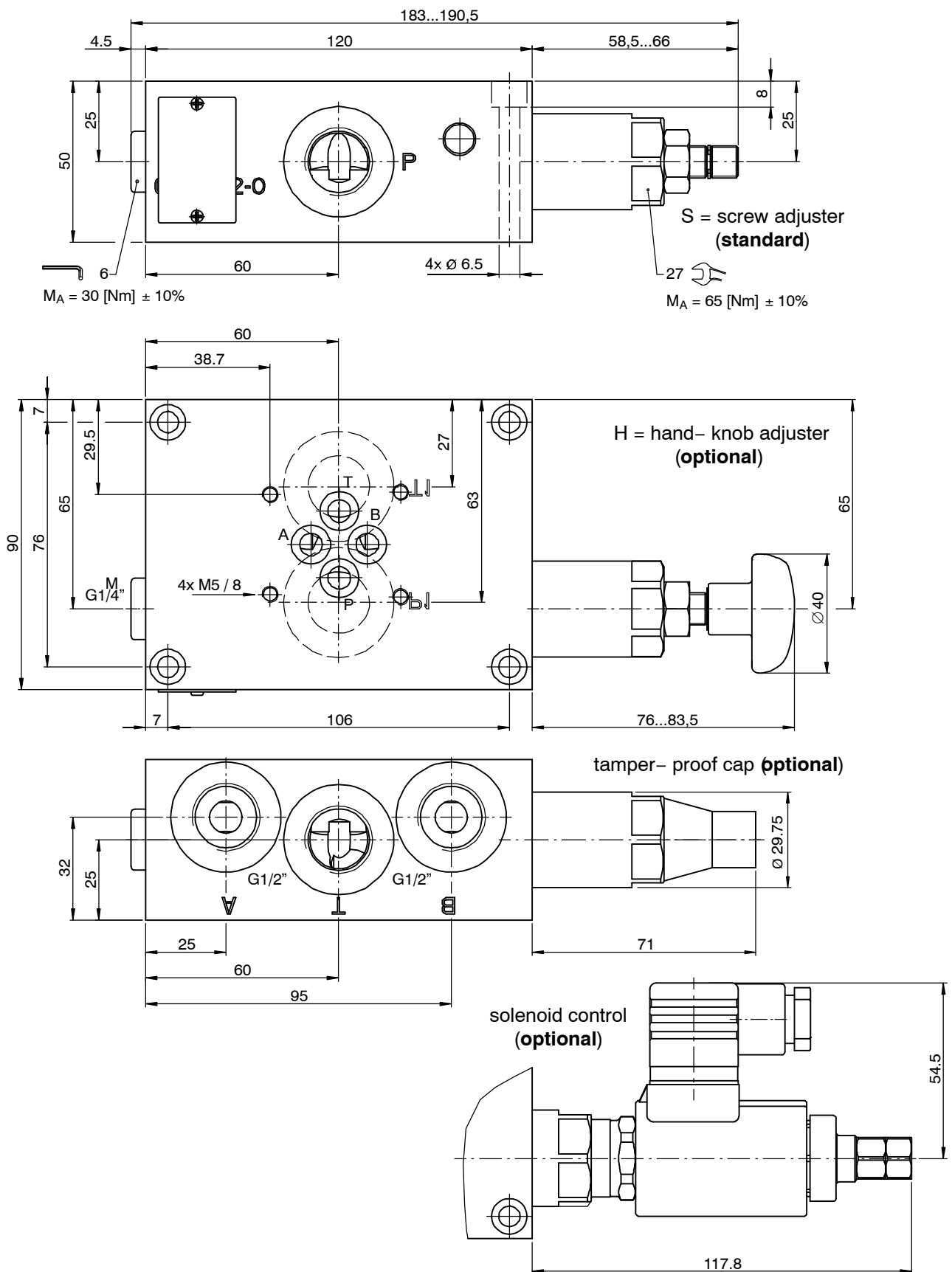


GPC-612-0 + WUVP_C-1...

2 Technical data

| General characteristics | Description, value, unit |
|----------------------------|---|
| Maximum operating pressure | 350 bar |
| Maximum flow rate | 80 l/min |
| Hydraulic fluid | HL and HLP mineral oil to DIN 51 524; for other fluids, please contact BUCHER |
| Mounting method | 4 mounting holes for M6 cap screws |
| Size | Cavity type DC for cartridge valve |
| Weight | GPC-612-0 3.15 kg GPC-612-0 + DVPA-1... 3.40 kg GPC-612-0 + WUVP_C-1... 3.65 kg |
| Mounting attitude | unrestricted |

3 Dimensions & sectional view



4 Performance graphs



IMPORTANT!

Detailed performance data and other hydraulic characteristics can be found in the data sheet for the pressure-relief cartridge that is fitted (data sheet no. 400-P-280101-E or 400-P-290101-E).



ATTENTION!

The performance figures in the data sheet for the cartridge valve refer just to the cartridge itself. Take into account the additional pressure drop in the body into which it is fitted.

5 Ordering code

Without cartridge

Ex. **GP C - 6 12 - 0**

- GP = threaded subplate
- C = cavity type DC
- 6 = ISO size 03 interface
- 12 = G1/2" thread – ports P, A, B and T
- 1 ... 9 = design stage (omit when ordering new units)

With manually adjusted pressure-relief cartridge

Ex. **GPC-612 + D V P A - 1 - 10 - S N - 1**

- GPC... = threaded-port subplate
- D = pressure-relief valve
- V = two-stage
- P = cartridge design
- A ... Q = standard model - see relevant data sheets
- Z ... R = special features - please consult BUCHER
- 1 = pressure function 1 (pressure-relief)
- 10 = nominal size 10
- S = screw adjuster (**standard**)
- H = hand-knob adjuster
- N = pressure range ...315 bar (normal)
- M = pressure range ...210 bar (medium)
- L = pressure range ... 65 bar (light)
- (blank) = NBR (Nitrile) seals (**standard**)
- V = FKM (Viton) seals
(special seals - please contact BUCHER)
- 1 ... 9 = design stage (omit when ordering new units)



IMPORTANT!

When required, the tamper-proof cap (the adjustment seal) must be ordered separately in plain language.

With electrically operated pressure-relief cartridge

Ex. **GPC-612** + **WU V P O C** - **1 C O** - **35** - **10** - **1** **24 D** -

| | |
|---------|--|
| GPC... | = threaded-port subplate |
| WU | = electrically switchable pressure-relief valve |
| V | = two-stage |
| P | = cartridge design |
| O | = for unloading duty (ON/OFF) |
| L | = for two-pressure duty (HI/LO) |
| U | = for unloading duty, damped opening (on request) |
| C ... Q | = standard model - see relevant data sheets |
| Z ... R | = special features - please consult BUCHER |
| 1 | = pressure function 1 (pressure-relief) |
| C | = cavity type DC |
| O | = normally open |
| 35 | = pressure range 10 ... 350 bar |
| 25 | = pressure range 10 ... 250 bar |
| 16 | = pressure range 10 ... 160 bar |
| 10 | = pressure range 10 ... 100 bar |
| 04 | = pressure range 10 ... 040 bar |
| 10 | = nominal size 10 |
| (blank) | = NBR (Nitrile) seals (standard) |
| V | = FKM (Viton) seals (special seals - please contact BUCHER) |
| 1 ... 9 | = design stage (omit when ordering new units) |
| ... | = voltage e.g. 24 (24 V) |
| D | = current DC |
| A | = current AC |
| (blank) | = DIN EN 175301-803 connection with mating plug (standard, IP 65) |
| M100 | = DIN EN 175301-803 connection without mating plug |
| C | = Kostal plug connection (IP 65) |
| JT | = Junior Timer radial plug connection (with protection diode, IP65) |
| IT | = Junior Timer axial plug connection (with protection diode, IP65) |
| D | = Deutsch plug connection DT04-2P (IP 67/69K) |
| DT | = Deutsch plug connection DT04-2P (with protection diode, IP 67/69K) |
| S | = AMP Superseal 1.5 (IP67) / Metri-Pack 150 (IP65) plug connection |
| F | = flying leads (500 mm) |

} mating plug not supplied

6 Related data sheets

| Reference | (Old no.) | Description |
|--------------|-----------|---|
| 400-P-030501 | (i-31) | Size 03 interface to ISO 4401-03-02 |
| 400-P-060111 | (i-45.1) | Cavity type DC |
| 400-P-280101 | (D-4.31) | Pressure-relief cartridge valve, size 10, series DVPA-1-10... |
| 400-P-290101 | (D-6.31) | Electrically operated pressure-relief cartridge, size 10, series WUVP_C-1-... |
| 400-P-120110 | (W-2.141) | Coils for screw-in cartridge valves |

info.ch@bucherhydraulics.com

www.bucherhydraulics.com

© 2018 by Bucher Hydraulics AG Frutigen, CH-3714 Frutigen

All rights reserved.

Data is provided for the purpose of product description only, and must not be construed as warranted characteristics in the legal sense. The information does not relieve users from the duty of conducting their own evaluations and tests. Because the products are subject to continual improvement, we reserve the right to amend the product specifications contained in this catalogue.

Classification: 430.335.320.-.-.