

G - 5 b

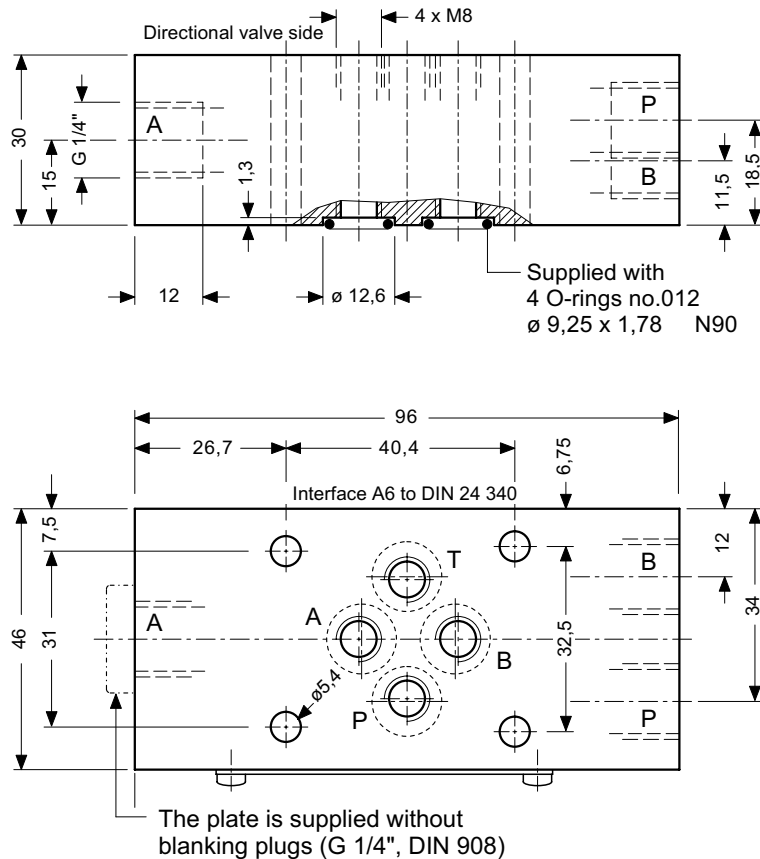
Modular-mounting Diverter / Tapping Plate, 6 mm

Series SAZ ...

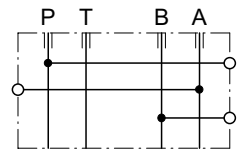
350 bar

- Ports P, A und B = G 1/4"
- Material: steel
- Mass: 0,9 kg
- Interface to ISO 4401 / CETOP R35H size 03, NFPA D03, DIN 24 340 A6

DIMENSIONS

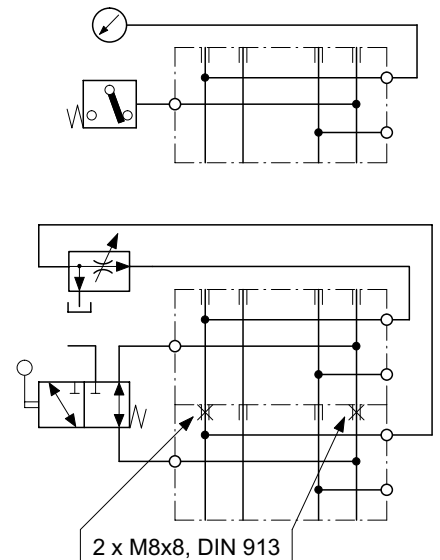


SYMBOL



SAZ - 6

APPLICATION EXAMPLE



DESCRIPTION

The SAZ-6 ... diverter / tapping plate is used to connect control- and / or measuring devices into the valve stack.

All 4 bores P, A, B and T are thro' tapped M8 and can, as necessary, by

plugged with DIN 913, M8 x 8 long grub screws (see lower example for instance).

Please note however, that only 3 lines, P, A and B have G1/4" side connections as shown in the application examples.

Unused side ports must be blanked off with G1/4" plugs (eg. DIN 908) by the user.

Interface sealing is by means of O-rings which are retained in counterbores in the valve body.